

# COR IBR900 Series

## FOR IN-VEHICLE & M2M / IoT



### THANK YOU FOR CHOOSING CRADLEPOINT

*Cradlepoint is the leading provider of secure cloud-managed 3G/4G LTE networking solutions for the Distributed Enterprise with hundreds or thousands of locations. Our broad family of high-performance routers are designed for deployment in mission-critical applications that require 24x7 connectivity.*

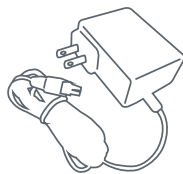
*Always Connected. Always Protected.*

#### COR IBR900 Key Features:

- + Cloud-managed
- + Dual-band, dual concurrent WiFi
- + Ignition sensing
- + 9-33 DC voltage input range
- + Active GPS Support
- + SIM-based Auto-carrier selection
- + Dual-SIM
- + Fully ruggedized metal housing
- + Integrated LTE Advanced Cat 6 LTE/HSPA+ modem
- + Two gigabit Ethernet ports (LAN/LAN or WAN/LAN)
- + Integrated mounting
- + COR Extensibility Dock compatible

Go to [cradlepoint.com/IBR900](http://cradlepoint.com/IBR900) to learn more.

#### WHAT'S INCLUDED:



AC Power Adapter\*

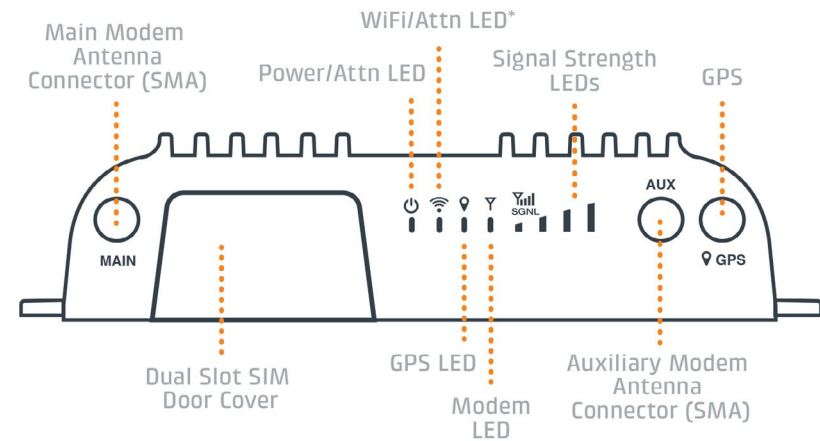
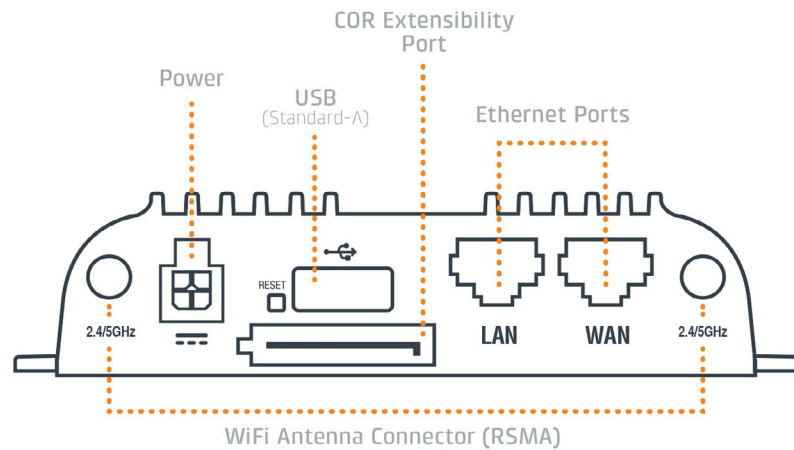


Modem & WiFi Antennas\*\*



Spare SIM Door Screws

\*-NPS SKUs come with an GPIO/Power Cable and no AC Power Supply or WiFi/Cellular Antennas.  
\*\*On applicable models.



## DEVICE DETAILS

### Model numbers:

IBR900LP5	(Regulatory Model S5A701A)
IBR950LP5	(Regulatory Model S5A706A)
IBR900LP6	(Regulatory Model S5A643A)
IBR950LP6	(Regulatory Model S5A648A)
IBR950NM	(Regulatory Model S5A644A)
IBR900LPE	(Regulatory Model S5A715A)

### Accessories:

- + AC Power Adapter
- + Modem & WiFi Antennas
- + Spare SIM Door Screws

## GETTING STARTED

### Setting Up the Router

- + Purchase a data plan. Insert the SIM as shown in the following step.
- + Connect WiFi, modem and GPS antennas as desired. Finger tight only.
- + Connect to power (9-33 V input range).

### SIM Card Setup

To insert or remove SIM card:

1. Remove SIM door screws and cover.
2. Insert SIM card with metal contacts down and notch in. It will click into place. Depress again to remove.
3. Replace SIM cover (extra screws included).

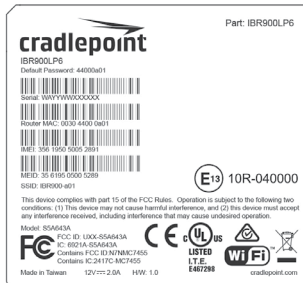


*Note: Device will not power on without cover in place.*

## Access the Administration Pages

To make configuration changes to your router, open the IBR900's GUI-based administration pages.

1. Connect to the router via Ethernet or WiFi. For WiFi, the default SSID is found on the product label on the bottom of the router.
2. Open a browser window and type **"cp/"** or **"192.168.0.1"** in the address bar and press return/enter.
3. When prompted for the Administrator password, type the default eight character password found on the product.
4. Upon log in for the first time, you are automatically directed to the First Time Setup Wizard to configure Admin Password, Time Zone, WiFi Security, and WAN failure check.



## FIRST TIME SETUP WIZARD

When you log in to the local administration pages for the first time, you will be automatically directed to the **First Time Setup Wizard**, which will walk you through basic steps to customize your Cradlepoint IBR900/950. You have the ability to configure any of the following:

- + Administrator Password
- + Access Point Name (APN)
- + Time Zone
- + Modem Authentication
- + Security Mode
- + Failure Check
- + WiFi Network Name\*

If you are currently using the router's WiFi network, you will need to reconnect your devices to the network using the newly established wireless network name and password.

To return to the First Time Setup Wizard after your initial login, select 'System > System Control' on the left navigation bar and First Time Setup in the dropdown menu.

To restore the router to its factory default settings, press and hold the RESET button on the side of the device for ten seconds. Reset returns the login password to the default password and resets all configuration changes.



*Deploy and Manage the Intelligent Network with Cradlepoint NetCloud*

Cradlepoint NetCloud is a network management and Network-as-a-Service application platform that integrates cloud-based networking with your Cradlepoint devices to improve productivity, increase reliability, reduce costs, and enhance the scalability of your network and business operations.

**To learn more and begin a free 30-day trial:**

[cradlepoint.com/netcloud](https://cradlepoint.com/netcloud)

Sales & Support: +1 855-813-3385

## UPDATING FIRMWARE

Cradlepoint regularly creates new firmware packages. You may need to update firmware to use the IBR900 with new modems and to access our latest features.

### *Via Enterprise Cloud Manager*

1. Log in at [cradlepointecm.com](https://cradlepointecm.com) using your Enterprise Cloud Manager credentials.
2. Navigate to the 'Groups' page.
3. Select a group and click on the Firmware option in the top toolbar. In the dropdown menu that opens, select the desired firmware version. Wait for firmware to load.

### *Via Firmware Interface*

1. Log into the administration pages. You may have changed the Administrator Password when you used the First Time Setup Wizard.
2. From the System menu, select 'System Control' and 'System Software'.
3. Find the 'Firmware Upgrade' section. This displays the current firmware version that is installed and indicates if updated firmware is available.
4. Click 'Automatic (Internet)' if new firmware is available. The IBR900 will download and install the firmware and automatically reboot itself. A status monitor will appear and indicate when this process is complete. This process may take several minutes depending on your Internet connection speed.

## SWITCHING CARRIER (IBR900LPE ONLY)

The IBR900LPE comes with Verizon selected as the default carrier. To change to a different US-based carrier:

### *Via Enterprise Cloud Manager*

1. Log in at [cradlepointecm.com](https://cradlepointecm.com) using your Enterprise Cloud Manager credentials.
2. Navigate to "Devices" and "Network Interfaces".
3. Select the checkboxes next to the Interfaces you want to change.
4. Select "Commands" and "Manage Modem Firmware".
5. Select "Switch" and follow the prompts to select an appropriate modem firmware file.

### *Via Firmware Interface*

1. Log into the administration pages. You may have changed the Administrator Password when you used the First Time Setup Wizard.
2. From the System Menu, select "System Control" and "Modem Firmware".
3. Follow the instructions for Carrier switching to select an appropriate modem firmware package file.

*Note: Modem firmware images can be downloaded from Cradlepoint by logging into [portal.cradlepoint.com](https://portal.cradlepoint.com) using your Cradlepoint Customer Connect account.*

## ACTIVATE YOUR MODEM

A Cradlepoint router requires a SIM with an active data subscription to a wireless broadband data plan to connect to a wireless network. SIMs with wireless broadband data plans are available from wireless carriers such as AT&T, Verizon, Sprint, T-Mobile, EE and Vodafone. Carriers offer several different types of data plans and Cradlepoint works with most (Mobile broadband, M2M, and router pricing plans; private and public APNS; and static or dynamic IP address).

For more information on activation see [cradlepoint.com/activation](https://cradlepoint.com/activation).

## GPS

The IBR900 and IBR950 come with an active GPS connection at 3.3 V and 100 mA max.

For full functionality you will need to use an active GPS antenna. TAIP and NMEA Protocol Support.

## ROUTER COMMUNICATION / DATA USAGE

The factory default configuration of the router is set to communicate with Cradlepoint and other resources at regular intervals to access the latest firmware and modem updates, clock synchronization (NTP), and Enterprise Cloud Manager (ECM) membership. Such communication may result in data usage and applicable charges regardless of whether the router uses a wired or wireless Internet connection. To avoid such data usage and potential charges, consult the following Knowledge Base article:

[knowledgebase.cradlepoint.com/articles/support/router-communication-data-usage](https://knowledgebase.cradlepoint.com/articles/support/router-communication-data-usage)