



NetCloud Services for Branch



# ARC CBA850 Spec Sheet



Cradlepoint ARC CBA850 LTE Adapter is sold as part of an all-inclusive branch networking package.

**NetCloud Packages for Branch Include:**

- LTE to Ethernet adapters for branch
- A NetCloud Service Plan tailored for branch networking and set for a specific term
- 24x7 support and limited lifetime warranty

## What to Buy

Description	Part Numbers
<b>North America</b> (U.S., Canada)	
— NetCloud Essentials for Branch LTE Adapters with CBA850-1200M	BBx-08501200-N0N
— NetCloud Essentials for Branch LTE Adapters with CBA850LP6	BBx-0850LP6-N0N
— NetCloud Essentials for Branch LTE Adapters with CBA850LP4	BBx-0850LP4-N0N
<b>U.S.</b>	
— NetCloud Essentials for Branch LTE Adapters with CBA850LPE	BBx-0850LPE-V0N
<b>Europe</b> (EU)	
— NetCloud Essentials for Branch LTE Adapters with CBA850LP6-EU	BBx-0850LP6-E0M
<b>Asia-Pacific</b> (Australia, New Zealand, Singapore)	
— NetCloud Essentials for Branch LTE Adapters with CBA850LP5-AP	BBx-0850LP5-P0M
<b>All Regions</b>	
— NetCloud Advanced for Branch Routers	BBx-NCADV

*x = 1, 3, or 5 years*

**NetCloud Essentials** packages and plans contain all the features and capabilities required for a broad range of mobile or in-vehicle applications. Essentials packages include 24x7 Support (Phone Support: 24 hour weekdays with Emergency response on weekends, Web: 24x7, Chat: 24x5) and a Limited Lifetime Warranty.

For additional capabilities, a **NetCloud Advanced** Upgrade can be added to the NetCloud Essentials Package at any time.

See additional details of what is included in the Essential and Advanced NetCloud software: [cradlepoint.com/netcloud-manager](https://cradlepoint.com/netcloud-manager)

For more details on the ARC CBA850 LTE Adapter, included with the NetCloud Packages for Branch LTE Adapters, see below.

## What's in the Box

- CBA850 with integrated MC400 multi-carrier modular modem with SIM-based Auto-Carrier Selection
- Universal 3G/4G/LTE antennas with dedicated active GPS antenna port
- 12 V DC / 1.5 A power adapter (1.5 meter cord)
- Ethernet cable
- Mounting hardware
- Warranty and regulatory information

## Key Features

### WAN

- 1200M: LTE Advanced Pro 1.2 Gbps LTE/HSPA+ (SIM-based Auto-Carrier Selection for all North American, European, and Asia Pacific carriers)—Pending
- LP6: LTE Advanced LTE/DC-HSPA+ (SIM-based Auto-Carrier Selection for all North American carriers and European operators)
- LP5: Cat 6 LTE Advanced for operators in Asia Pacific and Saudi Arabia (SIM-based Auto-Carrier selection)
- LP4: LTE/DC-HSPA+ for AT&T, Verizon, T-Mobile and Canadian carriers (SIM-based Auto-Carrier Selection)
- LPE: 4G LTE/HSPA+/EVDO (multi-carrier, North America)
- LP3: 4G LTE/HSPA+ (Europe, EMEA, and Australia/New Zealand)
- Advanced Modem Failure Check
- IP Passthrough
- Standby
- Ethernet WAN for inline failover

### LAN

- VLAN 802.1Q
- DHCP Server, Client, Relay
- DNS and DNS Proxy
- DynDNS
- UPnP
- DMZ
- MAC Address Filtering

### Management

- Cradlepoint NetCloud Manager
- Web UI, API, CLI, SSH
- Data Usage Alerts (router and per client)

- Advanced Troubleshooting (support)
- Device Alerts
- SNMP
- SMS control

## Routing

- Routing Rules
- NAT-less Routing
- Virtual Server/Port Forwarding
- IPv6

## Security

- RADIUS and TACACS+ support\*
- 802.1x authentication for Ethernet
- ALGs
- MAC Address Filtering
- Advanced Security Mode (local user management only)
- Per-Client Web Filtering
- IP Filtering
- Content Filtering (basic)
- Website Filtering

\* Native support for authentication. Authorization and accounting support through hotspot/captive portal services.

## Specifications

The following features are delivered through the NetCloud Service.

### WAN:

- Integrated 1200M Category 18 LTE Advanced Pro modem with (DC-HSPA+ failover), or
- LP6 Category 6 LTE Advanced LTE modem (with DC-HSPA+ failover), or
- LP5 Category 6 LTE Advanced LTE modem (with DC-HSPA+ failover), or
- LP4 Category 4 LTE modem (with DC-HSPA+ failover), or
- LPE 4G LTE modem (with HSPA+/ EVDO/3G and 2G failover), or
- LP3 4G LTE modem (with HSPA+ and 2G failover)

**LAN:**

- Two LAN 10/100/1000 Ethernet ports (default one NAT, one IP Passthrough)
- RJ45 Serial Port for console access or out-of-band management

**Temperature:**

- 0 °C to 50 °C (32 °F to 122 °F) operating
- -20 °C to 70 °C (-4 °F to 158 °F) storage

**Humidity (non-condensing):**

- 10% to 85% operating
- 5% to 90% storage

**Power:**

- 12 V DC / 1.5 A adapter
- 802.3af (15 W) or 802.3at (30 W) PoE capable

**Power Consumption (typical):**

- Idle: 4.0 W
- Single Modem: 6.0 W

**Size:** 4.8 × 4.8 × 1.7 in (122 × 122 × 42 mm)

**Housing:**

- White plastic, locking compatible
- Wall, desk, or DIN Rail mounting

**Certifications:**

- FCC, CE, IC
- Safety: UL/CUL/CB Scheme
- Materials: WEEE, RoHS, RoHS-2, California Prop 65

## Accessories

- 700 MHz – 2700 MHz Wide Band Directional Antenna (Yagi/Log- Periodic) (Part #: 170588-000)
- 12" Mag-Mount Antenna with SMA Male Connector (Part #: 170605-000)
- 4" Mini Mag-Mount Antenna with SMA Male Connector (Part #: 170606-000)
- Universal 3G/4G/LTE Modem Antenna (Part #: 170649-000)
- GPS Screw-Mount Antenna (Part #: 170651-000)
- GPS Mag-Mount Antenna (Part #: 170652-000)
- Universal 3G/4G multi-band cellular modem antenna (white) – 2 dBi / 3 dBi (Part # 170659-000)
- Multi-Band Omni-Directional Antenna (Part #: 170668-000)

- Indoor/Outdoor Panel Patch (Part #: 170669-000)
- DIN Rail Mounting Bracket (Part # 170656-000)
- Wall/Ceiling Mounting Bracket (Part # 170666-000)
- Rollover Adapter for RJ45 Ethernet cable M/F (Part # 170662-000)
- RJ45 Rollover serial console cable 7 ft (Part # 170663-000)
- RJ45 Rollover serial console cable 14 ft (Part # 170663-001)
- Cradlepoint Certified Antennas for Fixed Sites

See the Cradlepoint [antenna accessories page](#) for more information about antennas. Also see the Antenna Ordering and Installation Guide, available as a PDF in the Resources section of antenna and router product pages.

## Enterprise-Class Modem Specifications

### ARC CBA850-1200M LTE Advanced Pro/HSPA+ for Worldwide

ARC CBA850-1200M models include an integrated LTE Advanced Pro Category 18 4G LTE modem. The 1200M modems support worldwide SIM-Based Auto-Carrier selection. Simply insert the SIM and wait for the router to automatically detect the SIM and establish a connection.

- Technology: Category 18 LTE Advanced Pro, DC-HSPA+
- Downlink Rates: LTE 1.2 Gbps, DC-HSPA+ 42.2 Mbps\*
- Uplink Rates: LTE 150 Mbps, DC-HSPA+ 5.76 Mbps\*
- MIMO: 2x2 or 4x4 MIMO
- 256 QAM support
- Frequency Bands:
  - LTE Bands
    - LTE FDD 1, 2(25), 3, 4(66), 5(26/18/19), 7, 8, 12(17), 13, 14, 20, 28, 29, 30, 32, 71
    - LTE TDD 38, 39, 40, 41, 42, 46(LAA 5GHz), 48\*\*(CBRS 3.5GHz)
- Carrier Aggregation: Up to 5CA. [ ] indicates 4x4 MIMO
  - AT&T: 2,4,5,12,14,29,30,66,46; 3G 2, 5
    - 2CA DL carrier aggregation combinations:  
 CA\_[2A]-[2A], CA\_[2A]-[4A], CA\_2A-5A, CA\_2A-12A, CA\_2A-14A, CA\_2A29A, CA\_2A-30A, CA\_[2A]-46A, CA\_[2A]-[66A], CA\_2C, CA\_[4A]-[4A], CA\_4A-5A, CA\_4A-12A, CA\_4A-29A, CA\_4A-30A, CA\_[4A]-46A, CA\_5A30A, CA\_5A-66A, CA\_5B, CA\_12A-30A, CA\_12A-66A, CA\_12B, CA\_14A30A, CA\_14A-66A, CA\_29A-30A, CA\_29A-66A, CA\_30A-66A, CA\_[66A][66A], CA\_66B, CA\_66C
    - 3CA DL carrier aggregation combinations:  
 CA\_2A-2A-5A, CA\_[2A]-2A-12A, CA\_2A-2A-14A, CA\_2A-2A-30A, CA\_2A2A-66A, CA\_[2A]-4A-4A, CA\_2A-[4A]-[4A], CA\_[2A]-4A-5A, CA\_2A-[4A]-5A, CA\_[2A]-4A-12A, CA\_2A-[4A]-12A, CA\_2A-4A-30A, CA\_2A-5A-30A, CA\_[2A]-5A-66A, CA\_2A-5A-[66A], CA\_2A-12A-30A, CA\_[2A]-12A-66A, CA\_2A-12A-[66A], CA\_2A-14A-30A, CA\_2A-14A-66A, CA\_2A-29A-30A, CA\_2A-30A-66A, CA\_2A-46C, CA\_2A-66A-66A, CA\_[4A]-4A-5A, CA\_[4A]4A-12A, CA\_4A-4A-30A, CA\_4A-5A-30A, CA\_4A-12A-30A, CA\_4A-12B, CA\_4A-29A-30A, CA\_5A-30A-66A, CA\_5A-66A-66A, CA\_5A-66C, CA\_12A30A-66A, CA\_12A-[66A]-66A, CA\_14A-30A-66A, CA\_14A-66A-66A, CA\_29A-30A-66A, CA\_29A-66A-66A, CA\_30A-66A-66A

- 4CA DL carrier aggregation combinations:  
CA\_2A-2A-5A-30A, CA\_2A-2A-5A-66A, CA\_2A-2A-12A-30A, CA\_2A-2A12A-66A, CA\_2A-2A-14A-66A, CA\_2A-2A-29A-30A, CA\_2A-2A-66A-66A, CA\_2A-4A-4A-12A, CA\_2A-4A-5A-30A, CA\_2A-4A-12A-30A, CA\_2A-5A30A-66A, CA\_2A-5A-66A-66A, CA\_2A-5B-30A, CA\_2A-5B-66A, CA\_2A12A-30A-66A, CA\_2A-12A-66A-66A, CA\_2A-14A-30A-66A, CA\_2A-14A66A-66A, CA\_2A-29A-30A-66A, CA\_[2A]-46D, CA\_[4A]-46D, CA\_4A-4A12A-30A, CA\_5A-30A-66A-66A, CA\_5B-30A-66A, CA\_5B-66A-66A, CA\_12A-30A-66A-66A, , CA\_14A-30A-66A-66A, CA\_29A-30A-66A-66A, CA\_46D-[66A]
  - 5CA DL carrier aggregation combinations:  
CA\_2A-2A-46D, CA\_2A-5B-30A-66A, CA\_2A-5B-66A-66A, CA\_2A-46D66A, CA\_5B-30A-66A-66A, CA\_46D-66A-66A
  - 2CA UL carrier aggregation combinations:  
CA\_2A-12A, CA\_2A-5A, CA\_4A-12A, CA\_5A-66A, CA\_5B, CA\_12A-66A
  - Verizon (Pending): 2,4,5,13,66,48
  - Sprint (Pending): 2,4,5,12,25,26,41
  - T-Mobile, Canada, International, Generic (Pending):
    - LTE FDD 1, 2(25), 3, 4(66), 5(26/18/19), 7, 8, 12(17), 13, 14, 20, 28, 29, 30, 32, 71
    - LTE TDD 38, 39, 40, 41, 42, 46, 48
  - Fallback: WCDMA/DC-HSPA+ (42/5.76 Mbps): Bands 1, 2, 4, 5(19), 8
  - Unlicensed Bands: LTE-LAA (5GHz): 46; CBRS (3.5GHz): 48\*\*
  - Power: LTE 23 dBm ± 1, DC-HSPA+ 23 dBm ± 1
  - Antennas: four SMA male (plug), finger tighten only (maximum torque spec is 7 kgf/cm2)
  - GPS: active GPS support
  - SMS: SMS support
  - Industry Standards & Certs: FCC, PTCRB, AT&T. PENDING: CE, GCF-CC, IC, Sprint, Verizon, Verizon NEMO/DMNR for Primary Wireless Access, AS, NZS, SGP
  - Modem Part Number: MC400-1200M
    - The MC400-1200M is certified on public safety networks worldwide (included with the CBA850-1200M). See the MC400 specification sheet for full details.
- 

## ARC CBA850LP6-NA, -EU

ARC CBA850 LP6 models include an integrated LTE Advanced Category 6 4G LTE modem. The LP6 modems support SIM-Based Auto-Carrier selection so there is only one model for all of North America. Simply insert the SIM and wait for the router to automatically detect the SIM and establish a connection.

The LTE bands certified for each carrier are listed below.

- Technology: LTE Advanced, DC-HSPA+
- Downlink Rates: LTE 300 Mbps, DC-HSPA+ 42.2 Mbps\*
- Uplink Rates: LTE 50 Mbps, DC-HSPA+ 5.76 Mbps\*

- Frequency Bands:
    - LTE Bands 1–5, 7, 8, 12, 13, 20, 25, 26, 29, 30, 41
      - Verizon: 2, 4, 5, 13 (XLTE support w/carrier aggregation)
      - AT&T: 2, 4, 5, 12, 29, 30
      - Sprint: 25, 26, 41 (LTE Plus Support)
      - T-Mobile: 2, 4, 12 (T-Mobile Wideband LTE Support)
      - Generic: all
  - Carrier Aggregation:
    - 1+ 8
    - 2+ 2/5/12/13/29
    - 3+ 7/20
    - 4+ 4/5/12/13/29
    - 5+ 2/4/30
    - 7+ 3/7/20
    - 8+ 1
    - 12+ 2/4/30
    - 13+ 2/4
    - 20+ 3/7
    - 30+ 5/12
    - 41+ 41
  - Fallback: WCDMA/DC-HSPA+ (42/5.76 Mbps): Bands 1–5, 8
  - Power: LTE: 23 dBm ± 1; DC-HSPA+: 23 dBm ± 1
  - Antennas: two SMA male
  - GPS: active GPS support
  - SMS: SMS support
  - Industry Standards & Certs: CE, FCC, GCF-CC, IC, PTCRB, AT&T, Sprint, Verizon
  - Modem Part Number: MC400LP6
- 

### **ARC CBA850LP5-AP**

ARC CBA850 LP5 models include an integrated LTE Advanced Category 6 4G LTE modem, and support Asia Pacific and Saudi Arabia. The LP5 modems support SIM-Based Auto-Carrier selection. Simply insert the SIM and wait for the router to automatically detect the SIM and establish a connection.

- Technology: FDD/TDD (Category 6) LTE Advanced, DC-HSPA+
- Downlink Rates: LTE 300 Mbps, DC-HSPA+ 42.2 Mbps\*
- Uplink Rates: LTE 50 Mbps, DC-HSPA+ 5.76 Mbps\*



- Frequency Bands:
    - LTE Bands: 1, 3, 5, 7, 8, 11, 18, 19, 21, 28, 38, 39, 40, 41
    - TD-SCDMA 39
  - Carrier Aggregation:
    - 1+ (8, 18, 19, 21)
    - 3+ (5, 7, 19, 28)
    - 7+ (5, 7, 28)
    - 19+ 21
    - 38+ 38
    - 39+ 39
    - 40+ 40
    - 41+ 41
  - Fallback: WCDMA/DC-HSPA+ (42/5.76 Mbps): Bands 1, 5, 6, 8, 9, 19
  - Power: LTE: 23 dBm ± 1; DC-HSPA+: 23 dBm ± 1
  - Antennas: two SMA male (plug), finger tighten only (maximum torque spec is 7 kgf/cm<sup>2</sup>)
  - GPS: active GPS support
  - SMS: SMS support
  - Industry Standards & Certs: CE, GCF-CC, RC Australia, others pending
  - Modem Part Number: MC400LP5
- 

#### **ARC CBA850LP4**

ARC CBA850 LP4 models include an embedded LTE Advanced Category 4 4G LTE modem. The LP4 modems support SIM-Based Auto-Carrier selection so there is only one model for North America. Simply insert the SIM and wait for the router to automatically detect the SIM and establish a connection.

- Technology: Category 4 LTE, DC-HSPA+
  - Downlink Rates: LTE 150 Mbps, DC-HSPA+ 42.2 Mbps
  - Uplink Rates: LTE 50 Mbps, DC-HSPA+ 5.76 Mbps
  - Frequency Bands:
    - LTE: Band 2 (1900 MHz), Band 4 – AWS (1700/2100 MHz), Band 5 (850 MHz), Band 13 (700 MHz), Band 17 (700 MHz)
    - DC-HSPA+/UMTS Rel. 9, Cat 24: Bands 5 and 2 (850/1900 MHz)
  - Power: LTE: 23 dBm ± 1; DC-HSPA+: 23 dBm ± 1
  - Antennas: two SMA male (plug), finger tighten only (maximum torque spec is 7 kgf/cm<sup>2</sup>)
  - Industry Standards & Certs: FCC, Verizon, AT&T, PTCRB, carrier Private Networks, IC
  - SIM: two 2FF slots (secured)
  - Modem Part Number: MC400LP4
-

### **ARC CBA850LPE-VZ – 4G LTE/EVDO for Verizon**

ARC CBA850LPE models include an integrated 4G LTE modem – specific model names include a specific modem (e.g., the ARC CBA850LPE-VZ includes a Verizon LTE modem). Please note that LPE models are flexible and support bands for multiple cellular providers; however, only the frequency bands in bold below are supported by the listed provider.

- Technology: LTE, EVDO Rev A
  - Downlink Rates: LTE 100 Mbps, EVDO 3.1 Mbps\*
  - Uplink Rates: LTE 50 Mbps, EVDO 1.8 Mbps\*
  - Frequency Bands:
    - LTE: Band 2 (1900 MHz), Band 4 – AWS (1700/2100 MHz), Band 5 (850 MHz), Band 13 (700 MHz), Band 17 (700 MHz), Band 25 (1900 MHz)
    - GSM/GPRS/EDGE: (850/900/1800/1900 MHz)
    - CDMA: EVDO Rev A/1xRTT (800/1900 MHz)
  - Power: LTE: 23 dBm ± 1; EVDO: 24 dBm +0.5/-1 (typical conducted)
  - Antennas: two SMA male (plug), 1 dBi (LTE), 2 dBi (Cellular/PCS) gain; finger tighten only (maximum torque spec is 7 kgf/cm<sup>2</sup>)
  - GPS: active GPS support
  - Industry Standards & Certs: FCC, Verizon
  - Modem Part Number: MC400LPE-VZ
  - SIM: two 2FF SIM slots
- 

### **ARC CBA850LPE-AT – 4G LTE/HSPA+/EVDO for AT&T**

- Technology: LTE, HSPA+, EVDO Rev A
  - Downlink Rates: LTE 100 Mbps, HSPA+ 21.1 Mbps, EVDO 3.1 Mbps\*
  - Uplink Rates: LTE 50 Mbps, HSPA+ 5.76 Mbps, EVDO 1.8 Mbps\*
  - Frequency Bands:
    - LTE: Band 2 (1900 MHz), Band 4 – AWS (1700/2100 MHz), Band 5 (850 MHz), Band 13 (700 MHz), Band 17 (700 MHz), Band 25 (1900 MHz)
    - HSPA+/UMTS: (850/900/1900/2100 MHz, AWS)
    - GSM/GPRS/EDGE: (850/900/1800/1900 MHz)
    - CDMA: EVDO Rev A/1xRTT (800/1900 MHz)
  - Power: LTE: 23 dBm ± 1; HSPA+: 23 dBm ± 1; EVDO: 24 dBm +0.5/-1 (typical conducted)
  - Antennas: two SMA male (plug), 1 dBi (LTE), 2 dBi (Cellular/PCS) gain; finger tighten only (maximum torque spec is 7 kgf/cm<sup>2</sup>)
  - GPS: active GPS support
  - Industry Standards & Certs: FCC, PTCRB, AT&T
  - Modem Part Number: MC400LPE-AT
  - SIM: two 2FF SIM slots
-

**ARC CBA850LPE-SP – 4G LTE/HSPA+/EVDO for Sprint:**

- Technology: LTE, HSPA+, EVDO Rev A
  - Downlink Rates: LTE 100 Mbps, HSPA+ 21.1 Mbps, EVDO 3.1 Mbps\*
  - Uplink Rates: LTE 50 Mbps, HSPA+ 5.76 Mbps, EVDO 1.8 Mbps\*
  - Frequency Bands:
    - LTE: Band 2 (1900 MHz), Band 4 – AWS (1700/2100 MHz), Band 5 (850 MHz), Band 13 (700 MHz), Band 17 (700 MHz), Band 25 (1900 MHz)
    - HSPA+/UMTS: (850/900/1900/2100 MHz, AWS)
    - GSM/GPRS/EDGE: (850/900/1800/1900 MHz)
    - CDMA: EVDO Rev A/1xRTT (800/1900 MHz)
  - Power: LTE: 23 dBm ± 1; HSPA+: 23 dBm ± 1; EVDO: 24 dBm +0.5/-1 (typical conducted)
  - Antennas: two SMA male (plug), 1 dBi (LTE), 2 dBi (Cellular/PCS) gain; finger tighten only (maximum torque spec is 7 kgf/cm<sup>2</sup>)
  - GPS: active GPS support
  - Industry Standards & Certs: FCC, Sprint
  - Modem Part Number: MC400LPE-SP
  - SIM: two 2FF SIM slots
- 

**ARC CBA850LP3-EU – 4G LTE/HSPA+ for Europe:**

- Technology: LTE, HSPA+
  - Downlink Rates: LTE 100 Mbps, HSPA+ 21.1 Mbps\*
  - Uplink Rates: LTE 50 Mbps, HSPA+ 5.76 Mbps\*
  - Frequency Bands:
    - LTE: Band 1 (2100 MHz), Band 3 (1800 MHz), Band 7 (2600 MHz), Band 8 (900 MHz), Band 20 (800 MHz)
    - HSPA+/UMTS: (800/850/900/1900/2100 MHz)
    - GSM/GPRS/EDGE: Quad-Band (850/900/1800/1900 MHz)
  - Power: LTE Band 1/3/8/20: 23 dBm ± 1; LTE Band 7–22: dBm ± 1; HSPA+: 23 dBm ± 1 (typical conducted)
  - Antennas: two SMA male (plug), 1 dBi (LTE), 2 dBi (Cellular/PCS) gain; finger tighten only (maximum torque spec is 7 kgf/cm<sup>2</sup>)
  - GPS: active GPS support
  - Industry Standards & Certs: CE, GCF-CC
  - Modem Part Number: MC400LP3-EU
  - SIM: two 2FF SIM slots
-

**ARC CBA850LPE-GN – 4G LTE/HSPA+/EVDO for Canada, T-Mobile & US Cellular in the U.S.:**

- Technology: LTE, HSPA+, EVDO Rev A
- Downlink Rates: LTE 100 Mbps, HSPA+ 21.1 Mbps, EVDO 3.1 Mbps\*
- Uplink Rates: LTE 50 Mbps, HSPA+ 5.76 Mbps, EVDO 1.8 Mbps\*
- Frequency Bands:
  - LTE: Band 2 (1900 MHz), Band 4 (AWS), Band 5 (850 MHz), Band 13 (700 MHz), Band 17 (700 MHz), Band 25 (1900 MHz)
  - HSPA+/UMTS: (850/900/1900/2100 MHz, AWS)
  - GSM/GPRS/EDGE: (850/900/1800/1900 MHz)
  - CDMA: EVDO Rev A/1xRTT (800/1900 MHz)
- Power: LTE: 23 dBm ± 1; HSPA+: 23 dBm ± 1; EVDO: 24 dBm +0.5/-1 (typical conducted)
- Antennas: two SMA male (plug), 1 dBi (LTE), 2 dBi (Cellular/PCS) gain; finger tighten only (maximum torque spec is 7 kgf/cm<sup>2</sup>)
- GPS: active GPS support
- Industry Standards & Certs: FCC, IC, PTCRB
- Modem Part Number: MC400LPE-GN
- SIM: two 2FF SIM slots

## Support & Warranty

The CBA850 is only sold as a component of NetCloud Packages.

- NetCloud Packages include support for the full subscription term.
- All Cradlepoint hardware products are covered by a limited lifetime warranty for as long as they are under a NetCloud Service Plan.

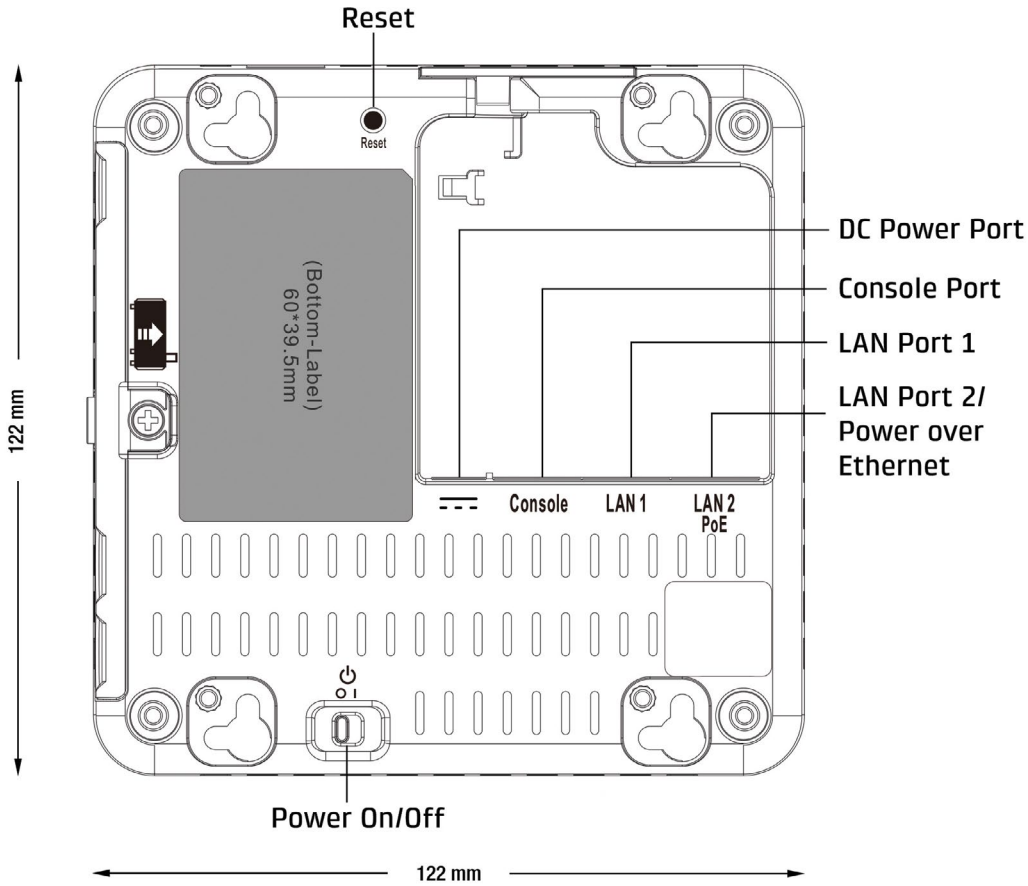
*\*Theoretical*

*\*\*To be enabled with a future modem software update.*

*FirstNet and FirstNet Ready are registered trademarks and service marks of the First Responder Network Authority, an independent authority within the U.S. Department of Commerce.*

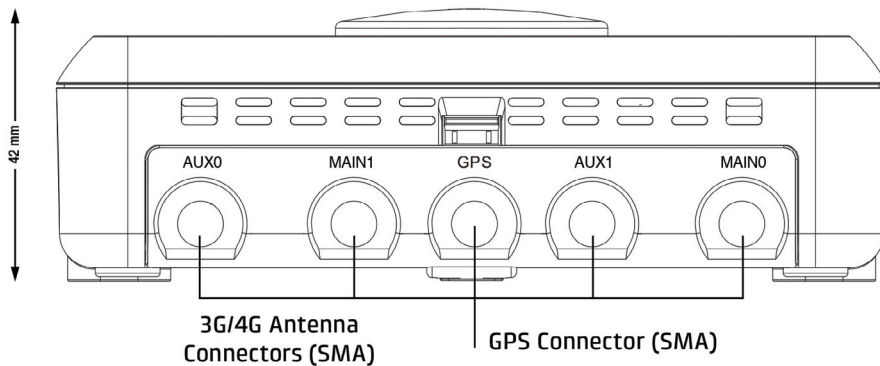
# Hardware

## Bottom View



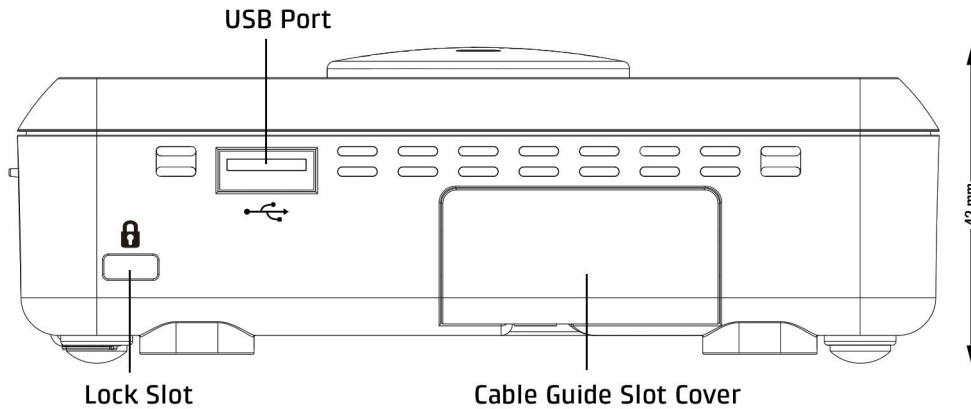
## Right View

CBA850-1200M shown

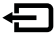
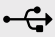



1200M models = 2 MAIN, 2 AUX  
LPx models = 1 MAIN, 1 AUX

## Rear View



## LEDs

Indicator	Behavior
On Top of Router	<p><b>Power</b> The Cradlepoint CBA850 must be powered using an approved 12 V DC power source.</p> <ul style="list-style-type: none"> <li>— Blue = Powered ON: 4G.</li> <li>— Green = Powered ON: 3G.</li> <li>— Amber = Attention.</li> <li>— No Light = Not receiving power. Check the power switch and the power source connection.</li> </ul>
	<p><b>Integrated Modem</b> Indicates information about the integrated modem.</p> <ul style="list-style-type: none"> <li>— Green = Modem has established an active connection.</li> <li>— Blinking Green = Modem is connecting.</li> <li>— Amber = Modem is not active.</li> <li>— Blinking Amber = Data connection error. No modem connection possible.</li> <li>— Blinking Red = Modem is in the process of resetting.</li> </ul>
	<p><b>External USB Modem</b> Indicates information about an attached USB modem.</p> <ul style="list-style-type: none"> <li>— Green = Modem has established an active connection.</li> <li>— Blinking Green = Modem is connecting.</li> <li>— Amber = Modem is not active.</li> <li>— Blinking Amber = Data connection error. No modem connection possible.</li> <li>— Blinking Red = Modem is in the process of resetting.</li> </ul>
	<p><b>Signal Strength</b> Blue LED bars indicate the active modem's signal strength.</p> <ul style="list-style-type: none"> <li>— 4 Solid Bars = Strongest signal.</li> <li>— 1 Blinking Bar = Weakest signal. (A blinking bar indicates half of a bar.)</li> </ul>