

cradlepoint

ARC CBA850 Spec Sheet



Cradlepoint ARC CBA850 LTE Adapter is sold as part of an all-inclusive branch networking solution in a NetCloud Solution Package.

NetCloud Solution Packages for branch include:

- LTE to Ethernet adapters for branch
- Award-winning remote cloud management and network intelligence with **NetCloud Manager**
- Secure IoT networking with **NetCloud Perimeter** for perimeter-secured overlay networks
- **24x7 support and limited lifetime warranty**

WHAT TO BUY

Description	Part Numbers
North America (U.S., Canada)	
+ NetCloud Essentials for Branch LTE Adapters with CBA850-1200M	BBx-08501200-NON
+ NetCloud Essentials for Branch LTE Adapters with CBA850LP6	BBx-0850LP6-NON
+ NetCloud Essentials for Branch LTE Adapters with CBA850LP4	BBx-0850LP4-NON
U.S.	
+ NetCloud Essentials for Branch LTE Adapters with CBA850LPE	BBx-0850LPE-VON
Europe (EU)	
+ NetCloud Essentials for Branch LTE Adapters with CBA850LP6-EU	BBx-0850LP6-EOM
Asia-Pacific (Australia, New Zealand, Singapore)	
+ NetCloud Essentials for Branch LTE Adapters with CBA850LP5-AP	BBx-0850LP5-POM
All Regions	
+ NetCloud Advanced for Mobile Routers	BBx-NCADV

x = 1, 3, or 5 years

NetCloud Essentials contains all the features and capabilities required for a broad range of mobile or in-vehicle applications. Essentials packages include 24x7 Support (Phone Support: 24 hour weekdays with Emergency response on weekends, Web: 24x7, Chat: 24x5) and a Limited Lifetime Warranty.

For additional capabilities, a **NetCloud Advanced** Upgrade can be added to the NetCloud Essentials Package at any time.

See additional details of what is included in the Essential and Advanced NetCloud software:

cradlepoint.com/netcloud-manager

For more details on the ARC CBA850 LTE Adapter, included with the NetCloud Solution Packages for mobile, see below.

WHAT'S IN THE BOX

- CBA850 with integrated MC400 multi-carrier modular modem with SIM-based Auto-Carrier Selection
- Universal 3G/4G/LTE antennas with dedicated active GPS antenna port
- 12 V DC / 1.5 A power adapter (1.5 meter cord)
- Ethernet cable
- Mounting hardware
- Warranty and regulatory information

KEY FEATURES

WAN

- 1200M: LTE Advanced Pro 1.2 Gbps LTE/HSPA+ (SIM-based Auto-Carrier Selection for all North American, European, and Asia Pacific carriers) – Pending
- LP6: LTE Advanced LTE/DC-HSPA+ (SIM-based Auto-Carrier Selection for all North American carriers and European operators)
- LP5: Cat 6 LTE Advanced for operators in Asia Pacific and Saudi Arabia (SIM-based Auto-Carrier selection)
- LP4: LTE/DC-HSPA+ for AT&T, Verizon, T-Mobile and Canadian carriers (SIM-based Auto-Carrier Selection)
- LPE: 4G LTE/HSPA+/EVDO (multi-carrier, North America)
- LP3: 4G LTE/HSPA+ (Europe, EMEA, and Australia/New Zealand)
- Advanced Modem Failure Check
- IP Passthrough
- Standby
- Ethernet WAN for inline failover

LAN

- VLAN 802.1Q
- DHCP Server, Client, Relay
- DNS and DNS Proxy
- DynDNS
- UPnP
- DMZ
- MAC Address Filtering

MANAGEMENT

- Cradlepoint NetCloud Manager
- Web UI, API, CLI, SSH
- Data Usage Alerts (router and per client)
- Advanced Troubleshooting (support)
- Device Alerts
- SNMP
- SMS control

ROUTING

- Routing Rules
- NAT-less Routing
- Virtual Server/Port Forwarding
- IPv6

SECURITY

- RADIUS and TACACS+ support*
- 802.1x authentication for Ethernet
- ALGs
- MAC Address Filtering
- Advanced Security Mode (local user management only)
- Per-Client Web Filtering
- IP Filtering
- Content Filtering (basic)
- Website Filtering

*-Native support for authentication. Authorization and accounting support through hotspot/captive portal services.

SPECIFICATIONS

WAN:

- Integrated 1200M Category 18 LTE Advanced Pro modem with (DC-HSPA+ failover), or
- LP6 Category 6 LTE Advanced LTE modem (with DC-HSPA+ failover), or
- LP5 Category 6 LTE Advanced LTE modem (with DC-HSPA+ failover), or
- LP4 Category 4 LTE modem (with DC-HSPA+ failover), or
- LPE 4G LTE modem (with HSPA+/ EVDO/3G and 2G failover), or
- LP3 4G LTE modem (with HSPA+ and 2G failover)

LAN:

- Two LAN 10/100/1000 Ethernet ports (default one NAT, one IP Passthrough)
- RJ45 Serial Port for console access or out-of-band management

TEMPERATURE:

- 0 °C to 50 °C (32 °F to 122 °F) operating
- -20 °C to 70 °C (-4 °F to 158 °F) storage

HUMIDITY (non-condensing):

- 10% to 85% operating
- 5% to 90% storage

POWER:

- 12 V DC / 1.5 A adapter
- 802.3af (15 W) or 802.3at (30 W) PoE capable

POWER CONSUMPTION (Typical)

- Idle: 4.0 W
- Single Modem: 6.0 W

SIZE: 4.8 × 4.8 × 1.7 in (122 × 122 × 42 mm)

HOUSING:

- White plastic, locking compatible
- Wall, desk, or DIN Rail mounting

CERTIFICATIONS:

- FCC, CE, IC
- Safety: UL/CUL/CB Scheme
- Materials: WEEE, RoHS, RoHS-2, California Prop 65

ACCESSORIES

- 700 MHz – 2700 MHz Wide Band Directional Antenna (Yagi/Log- Periodic) (Part #: 170588-000)
- 12" Mag-Mount Antenna with SMA Male Connector (Part #: 170605-000)
- 4" Mini Mag-Mount Antenna with SMA Male Connector (Part #: 170606-000)
- Universal 3G/4G/LTE Modem Antenna (Part #: 170649-000)
- GPS Screw-Mount Antenna (Part #: 170651-000)
- GPS Mag-Mount Antenna (Part #: 170652-000)

- Universal 3G/4G multi-band cellular modem antenna (white) – 2 dBi / 3 dBi (Part # 170659-000)
- Multi-Band Omni-Directional Antenna (Part #: 170668-000)
- Indoor/Outdoor Panel Patch (Part #: 170669-000)
- DIN Rail Mounting Bracket (Part # 170656-000)
- Wall/Ceiling Mounting Bracket (Part # 170666-000)
- Rollover Adapter for RJ45 Ethernet cable M/F (Part # 170662-000)
- RJ45 Rollover serial console cable 7 ft (Part # 170663-000)
- RJ45 Rollover serial console cable 14 ft (Part # 170663-001)
- [Cradlepoint Certified Antennas for Fixed Sites](#)

See the Cradlepoint [antenna accessories page](#) for more information about antennas. Also see the Antenna Ordering and Installation Guide, available as a PDF in the Resources section of antenna and router product pages.

BUSINESS-GRADE MODEM SPECIFICATIONS

ARC CBA850-1200M LTE Advanced Pro/HSPA+ for worldwide

ARC CBA850-1200M models include an integrated LTE Advanced Pro Category 18 4G LTE modem. The 1200M modems support worldwide SIM-Based Auto-Carrier selection. Simply insert the SIM and wait for the router to automatically detect the SIM and establish a connection.

- Technology: Category 18 LTE Advanced Pro, DC-HSPA+
- Downlink Rates: LTE 1.2 Gbps, DC-HSPA+ 42.2 Mbps*
- Uplink Rates: LTE 150 Mbps, DC-HSPA+ 5.76 Mbps*
- MIMO: 2x2 or 4x4 MIMO
- 256 QAM support
- Frequency Bands:
 - LTE Bands
 - LTE FDD 1, 2(25), 3, 4(66), 5(26/18/19), 7, 8, 12(17), 13, 14, 20, 28, 29, 30, 32, 71
 - LTE TDD 38, 39, 40, 41, 42, 46(LAA 5GHz), 48**(CBRS 3.5GHz)
- Carrier Aggregation: Up to 5CA. [] indicates 4x4 MIMO
 - AT&T: 2,4,5,12,14,29,30,66,46; 3G 2, 5
 - 2CA DL carrier aggregation combinations:
CA_[2A]-[2A], CA_[2A]-[4A], CA_2A-5A, CA_2A-12A, CA_2A-14A, CA_2A29A, CA_2A-30A, CA_[2A]-46A, CA_[2A]-[66A], CA_2C, CA_[4A]-[4A], CA_4A-5A, CA_4A-12A, CA_4A-29A, CA_4A-30A, CA_[4A]-46A, CA_5A30A, CA_5A-66A, CA_5B, CA_12A-30A, CA_12A-66A, CA_12B, CA_14A30A, CA_14A-66A, CA_29A-30A, CA_29A-66A, CA_30A-66A, CA_[66A][66A], CA_66B, CA_66C
 - 3CA DL carrier aggregation combinations:
CA_2A-2A-5A, CA_[2A]-2A-12A, CA_2A-2A-14A, CA_2A-2A-30A, CA_2A2A-66A, CA_[2A]-4A-4A, CA_2A-[4A]-[4A], CA_[2A]-4A-5A, CA_2A-[4A]-5A, CA_[2A]-4A-12A, CA_2A-[4A]-12A, CA_2A-4A-30A, CA_2A-5A-30A, CA_[2A]-5A-66A, CA_2A-5A-[66A], CA_2A-12A-30A, CA_[2A]-12A-66A, CA_2A-12A-[66A], CA_2A-14A-30A, CA_2A-14A-66A, CA_2A-29A-30A, CA_2A-30A-66A, CA_2A-46C, CA_2A-66A-66A, CA_[4A]-4A-5A, CA_[4A]4A-12A, CA_4A-4A-30A, CA_4A-5A-30A, CA_4A-12A-30A, CA_4A-12B, CA_4A-29A-30A, CA_5A-30A-66A, CA_5A-66A-66A, CA_5A-66C, CA_12A30A-66A, CA_12A-[66A]-66A, CA_14A-30A-66A, CA_14A-66A-66A, CA_29A-30A-66A, CA_29A-66A-66A, CA_30A-66A-66A
 - 4CA DL carrier aggregation combinations:
CA_2A-2A-5A-30A, CA_2A-2A-5A-66A, CA_2A-2A-12A-30A, CA_2A-2A12A-66A, CA_2A-2A-14A-66A, CA_2A-2A-29A-30A, CA_2A-2A-66A-66A, CA_2A-4A-4A-12A, CA_2A-4A-5A-30A, CA_2A-4A-12A-30A, CA_2A-5A30A-66A, CA_2A-5A-66A-66A, CA_2A-5B-30A, CA_2A-5B-66A, CA_2A12A-30A-66A, CA_2A-12A-66A-66A, CA_2A-14A-30A-66A, CA_2A-14A66A-66A, CA_2A-29A-30A-66A, CA_[2A]-46D, CA_[4A]-46D, CA_4A-4A12A-

- 30A, CA_5A-30A-66A-66A, CA_5B-30A-66A, CA_5B-66A-66A, CA_12A-30A-66A-66A, , CA_14A-30A-66A-66A, CA_29A-30A-66A-66A, CA_46D-[66A]
- 5CA DL carrier aggregation combinations:
 - CA_2A-2A-46D, CA_2A-5B-30A-66A, CA_2A-5B-66A-66A, CA_2A-46D66A, CA_5B-30A-66A-66A, CA_46D-66A-66A
- 2CA UL carrier aggregation combinations:
 - CA_2A-12A, CA_2A-5A, CA_4A-12A, CA_5A-66A, CA_5B, CA_12A-66A
- Verizon (Pending): 2,4,5,13,66,48
- Sprint (Pending): 2,4,5,12,25,26,41
- T-Mobile, Canada, International, Generic (Pending):
 - LTE FDD 1, 2(25), 3, 4(66), 5(26/18/19), 7, 8, 12(17), 13, 14, 20, 28, 29, 30, 32, 71
 - LTE TDD 38, 39, 40, 41, 42, 46, 48
- Fallback: WCDMA/DC-HSPA+ (42/5.76 Mbps): Bands 1, 2, 4, 5(19), 8
- Unlicensed Bands: LTE-LAA (5GHz): 46; CBRS (3.5GHz): 48**
- Power: LTE 23 dBm \pm 1, DC-HSPA+ 23 dBm \pm 1
- Antennas: four SMA male (plug), finger tighten only (maximum torque spec is 7 kgf/cm2)
- GPS: active GPS support
- SMS: SMS support
- Industry Standards & Certs: FCC, PTCRB, AT&T. PENDING: CE, GCF-CC, IC, Sprint, Verizon, Verizon NEMO/DMNR for Primary Wireless Access, AS, NZS, SGP
- Modem Part Number: MC400-1200M
 - The MC400-1200M is certified on public safety networks worldwide (included with the CBA850-1200M).
See the MC400 specification sheet for full details.

ARC CBA850LP6-NA, -EU

ARC CBA850 LP6 models include an integrated LTE Advanced Category 6 4G LTE modem. The LP6 modems support SIM-Based Auto-Carrier selection so there is only one model for all of North America. Simply insert the SIM and wait for the router to automatically detect the SIM and establish a connection.

The LTE bands certified for each carrier are listed below.

- Technology: LTE Advanced, DC-HSPA+
- Downlink Rates: LTE 300 Mbps, DC-HSPA+ 42.2 Mbps*
- Uplink Rates: LTE 50 Mbps, DC-HSPA+ 5.76 Mbps*
- Frequency Bands:
 - LTE Bands 1–5, 7, 8, 12, 13, 20, 25, 26, 29, 30, 41
 - Verizon: 2, 4, 5, 13 (XLTE support w/carrier aggregation)
 - AT&T: 2, 4, 5, 12, 29, 30
 - Sprint: 25, 26, 41 (LTE Plus Support)
 - T-Mobile: 2, 4, 12 (T-Mobile Wideband LTE Support)
 - Generic: all
- Carrier Aggregation:
 - 1+ 8
 - 2+ 2/5/12/13/29
 - 3+ 7/20
 - 4+ 4/5/12/13/29
 - 5+ 2/4/30
 - 7+ 3/7/20
 - 8+ 1

- 12+ 2/4/30
 - 13+ 2/4
 - 20+ 3/7
 - 30+ 5/12
 - 41+ 41
 - Fallback: WCDMA/DC-HSPA+ (42/5.76 Mbps): Bands 1–5, 8
 - Power: LTE: 23 dBm \pm 1; DC-HSPA+: 23 dBm \pm 1
 - Antennas: two SMA male
 - GPS: active GPS support
 - SMS: SMS support
 - Industry Standards & Certs: CE, FCC, GCF-CC, IC, PTCRB, AT&T, Sprint, Verizon
 - Modem Part Number: MC400LP6
-

ARC CBA850LP5-AP

ARC CBA850 LP5 models include an integrated LTE Advanced Category 6 4G LTE modem, and support Asia Pacific and Saudi Arabia. The LP5 modems support SIM-Based Auto-Carrier selection. Simply insert the SIM and wait for the router to automatically detect the SIM and establish a connection.

- Technology: FDD/TDD (Category 6) LTE Advanced, DC-HSPA+
 - Downlink Rates: LTE 300 Mbps, DC-HSPA+ 42.2 Mbps*
 - Uplink Rates: LTE 50 Mbps, DC-HSPA+ 5.76 Mbps*
 - Frequency Bands:
 - LTE Bands: 1, 3, 5, 7, 8, 11, 18, 19, 21, 28, 38, 39, 40, 41
 - TD-SCDMA 39
 - Carrier Aggregation:
 - 1+ (8, 18, 19, 21)
 - 3+ (5, 7, 19, 28)
 - 7+ (5, 7, 28)
 - 19+ 21
 - 38+ 38
 - 39+ 39
 - 40+ 40
 - 41+ 41
 - Fallback: WCDMA/DC-HSPA+ (42/5.76 Mbps): Bands 1, 5, 6, 8, 9, 19
 - Power: LTE: 23 dBm \pm 1; DC-HSPA+: 23 dBm \pm 1
 - Antennas: two SMA male (plug), finger tighten only (maximum torque spec is 7 kgf/cm²)
 - GPS: active GPS support
 - SMS: SMS support
 - Industry Standards & Certs: CE, GCF-CC, RC Australia, others pending
 - Modem Part Number: MC400LP5
-

ARC CBA850LP4

ARC CBA850 LP4 models include an embedded LTE Advanced Category 4 4G LTE modem. The LP4 modems support SIM-Based Auto-Carrier selection so there is only one model for North America. Simply insert the SIM and wait for the router to automatically detect the SIM and establish a connection.

- Technology: Category 4 LTE, DC-HSPA+
- Downlink Rates: LTE 150 Mbps, DC-HSPA+ 42.2 Mbps
- Uplink Rates: LTE 50 Mbps, DC-HSPA+ 5.76 Mbps
- Frequency Bands:
 - LTE: Band 2 (1900 MHz), Band 4 – AWS (1700/2100 MHz), Band 5 (850 MHz), Band 13 (700 MHz), Band 17 (700 MHz)
 - DC-HSPA+/UMTS Rel. 9, Cat 24: Bands 5 and 2 (850/1900 MHz)
- Power: LTE: 23 dBm \pm 1; DC-HSPA+: 23 dBm \pm 1
- Antennas: two SMA male (plug), finger tighten only (maximum torque spec is 7 kgf/cm²)
- Industry Standards & Certs: FCC, Verizon, AT&T, PTCRB, carrier Private Networks, IC
- SIM: two 2FF slots (secured)
- Modem Part Number: MC400LP4

ARC CBA850LPE-VZ – 4G LTE/EVDO for Verizon

ARC CBA850LPE models include an integrated 4G LTE modem – specific model names include a specific modem (e.g., the ARC CBA850LPE-VZ includes a Verizon LTE modem). Please note that LPE models are flexible and support bands for multiple cellular providers; however, only the frequency bands in bold below are supported by the listed provider.

- Technology: LTE, EVDO Rev A
- Downlink Rates: LTE 100 Mbps, EVDO 3.1 Mbps*
- Uplink Rates: LTE 50 Mbps, EVDO 1.8 Mbps*
- Frequency Bands:
 - LTE: Band 2 (1900 MHz), Band 4 – AWS (1700/2100 MHz), Band 5 (850 MHz), Band 13 (700 MHz), Band 17 (700 MHz), Band 25 (1900 MHz)
 - GSM/GPRS/EDGE: (850/900/1800/1900 MHz)
 - CDMA: EVDO Rev A/1xRTT (800/1900 MHz)
- Power: LTE: 23 dBm \pm 1; EVDO: 24 dBm +0.5/-1 (typical conducted)
- Antennas: two SMA male (plug), 1 dBi (LTE), 2 dBi (Cellular/PCS) gain; finger tighten only (maximum torque spec is 7 kgf/cm²)
- GPS: active GPS support
- Industry Standards & Certs: FCC, Verizon
- Modem Part Number: MC400LPE-VZ
- SIM: two 2FF SIM slots

ARC CBA850LPE-AT – 4G LTE/HSPA+/EVDO for AT&T

- Technology: LTE, HSPA+, EVDO Rev A
- Downlink Rates: LTE 100 Mbps, HSPA+ 21.1 Mbps, EVDO 3.1 Mbps*
- Uplink Rates: LTE 50 Mbps, HSPA+ 5.76 Mbps, EVDO 1.8 Mbps*

- Frequency Bands:
 - LTE: Band 2 (1900 MHz), Band 4 – AWS (1700/2100 MHz), Band 5 (850 MHz), Band 13 (700 MHz), Band 17 (700 MHz), Band 25 (1900 MHz)
 - HSPA+/UMTS: (850/900/1900/2100 MHz, AWS)
 - GSM/GPRS/EDGE: (850/900/1800/1900 MHz)
 - CDMA: EVDO Rev A/1xRTT (800/1900 MHz)
 - Power: LTE: 23 dBm \pm 1; HSPA+: 23 dBm \pm 1; EVDO: 24 dBm +0.5/-1 (typical conducted)
 - Antennas: two SMA male (plug), 1 dBi (LTE), 2 dBi (Cellular/PCS) gain; finger tighten only (maximum torque spec is 7 kgf/cm²)
 - GPS: active GPS support
 - Industry Standards & Certs: FCC, PTCRB, AT&T
 - Modem Part Number: MC400LPE-AT
 - SIM: two 2FF SIM slots
-

ARC CBA850LPE-SP – 4G LTE/HSPA+/EVDO for Sprint:

- Technology: LTE, HSPA+, EVDO Rev A
 - Downlink Rates: LTE 100 Mbps, HSPA+ 21.1 Mbps, EVDO 3.1 Mbps*
 - Uplink Rates: LTE 50 Mbps, HSPA+ 5.76 Mbps, EVDO 1.8 Mbps*
 - Frequency Bands:
 - LTE: Band 2 (1900 MHz), Band 4 – AWS (1700/2100 MHz), Band 5 (850 MHz), Band 13 (700 MHz), Band 17 (700 MHz), Band 25 (1900 MHz)
 - HSPA+/UMTS: (850/900/1900/2100 MHz, AWS)
 - GSM/GPRS/EDGE: (850/900/1800/1900 MHz)
 - CDMA: EVDO Rev A/1xRTT (800/1900 MHz)
 - Power: LTE: 23 dBm \pm 1; HSPA+: 23 dBm \pm 1; EVDO: 24 dBm +0.5/-1 (typical conducted)
 - Antennas: two SMA male (plug), 1 dBi (LTE), 2 dBi (Cellular/PCS) gain; finger tighten only (maximum torque spec is 7 kgf/cm²)
 - GPS: active GPS support
 - Industry Standards & Certs: FCC, Sprint
 - Modem Part Number: MC400LPE-SP
 - SIM: two 2FF SIM slots
-

ARC CBA850LP3-EU – 4G LTE/HSPA+ for Europe:

- Technology: LTE, HSPA+
- Downlink Rates: LTE 100 Mbps, HSPA+ 21.1 Mbps*
- Uplink Rates: LTE 50 Mbps, HSPA+ 5.76 Mbps*
- Frequency Bands:
 - LTE: Band 1 (2100 MHz), Band 3 (1800 MHz), Band 7 (2600 MHz), Band 8 (900 MHz), Band 20 (800 MHz)
 - HSPA+/UMTS: (800/850/900/1900/2100 MHz)
 - GSM/GPRS/EDGE: Quad-Band (850/900/1800/1900 MHz)
- Power: LTE Band 1/3/8/20: 23 dBm \pm 1; LTE Band 7–22: dBm \pm 1; HSPA+: 23 dBm \pm 1 (typical conducted)
- Antennas: two SMA male (plug), 1 dBi (LTE), 2 dBi (Cellular/PCS) gain; finger tighten only (maximum torque spec is 7 kgf/cm²)
- GPS: active GPS support

- Industry Standards & Certs: CE, GCF-CC
 - Modem Part Number: MC400LP3-EU
 - SIM: two 2FF SIM slots
-

ARC CBA850LPE-GN – 4G LTE/HSPA+/EVDO for Canada, T-Mobile & US Cellular in the U.S.:

- Technology: LTE, HSPA+, EVDO Rev A
 - Downlink Rates: LTE 100 Mbps, HSPA+ 21.1 Mbps, EVDO 3.1 Mbps*
 - Uplink Rates: LTE 50 Mbps, HSPA+ 5.76 Mbps, EVDO 1.8 Mbps*
 - Frequency Bands:
 - LTE: Band 2 (1900 MHz), Band 4 (AWS), Band 5 (850 MHz), Band 13 (700 MHz), Band 17 (700 MHz), Band 25 (1900 MHz)
 - HSPA+/UMTS: (850/900/1900/2100 MHz, AWS)
 - GSM/GPRS/EDGE: (850/900/1800/1900 MHz)
 - CDMA: EVDO Rev A/1xRTT (800/1900 MHz)
 - Power: LTE: 23 dBm ± 1; HSPA+: 23 dBm ± 1; EVDO: 24 dBm +0.5/-1 (typical conducted)
 - Antennas: two SMA male (plug), 1 dBi (LTE), 2 dBi (Cellular/PCS) gain; finger tighten only (maximum torque spec is 7 kgf/cm2)
 - GPS: active GPS support
 - Industry Standards & Certs: FCC, IC, PTCRB
 - Modem Part Number: MC400LPE-GN
 - SIM: two 2FF SIM slots
-

SUPPORT & WARRANTY

The CBA850 is only sold as a component of NetCloud Solution Packages.

- NetCloud Solution Packages include support for the full subscription term.
- All Cradlepoint hardware products are covered by a limited lifetime warranty for as long as they are under a NetCloud Solution Package subscription.

The CBA850 includes a minimum three-year hardware warranty when purchased from an authorized Cradlepoint Partner.

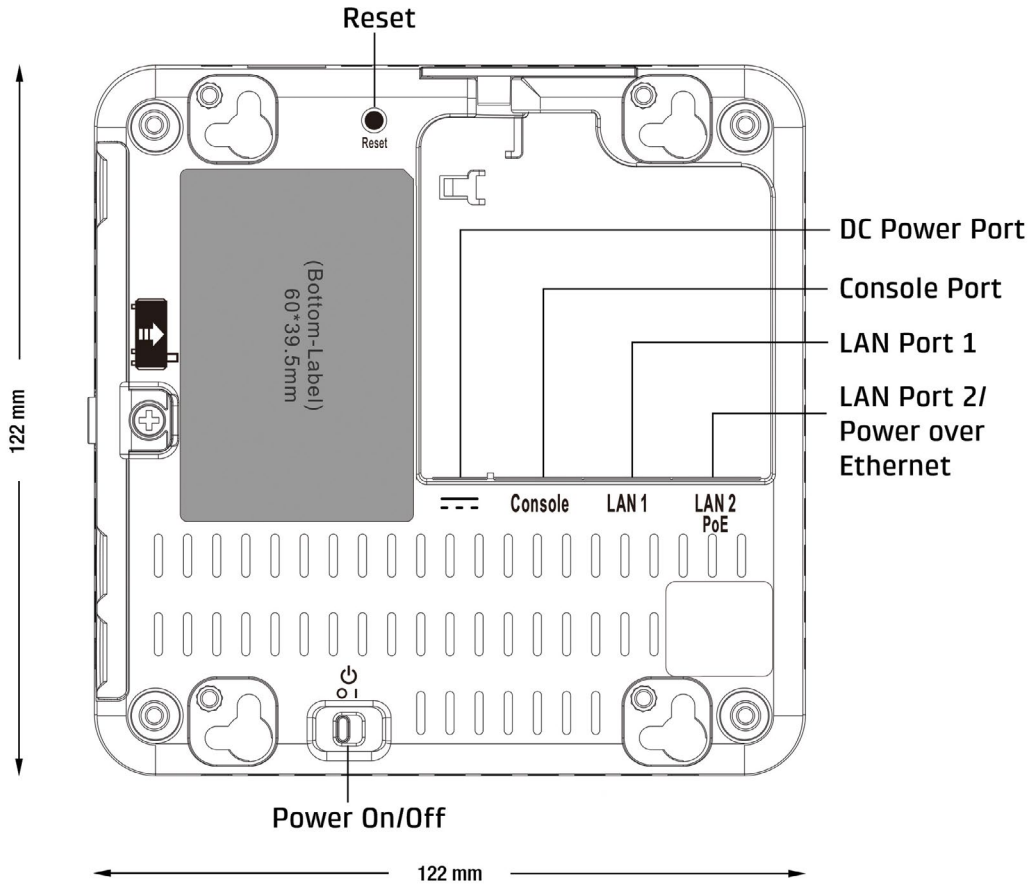
*Theoretical

**To be enabled with a future modem software update.

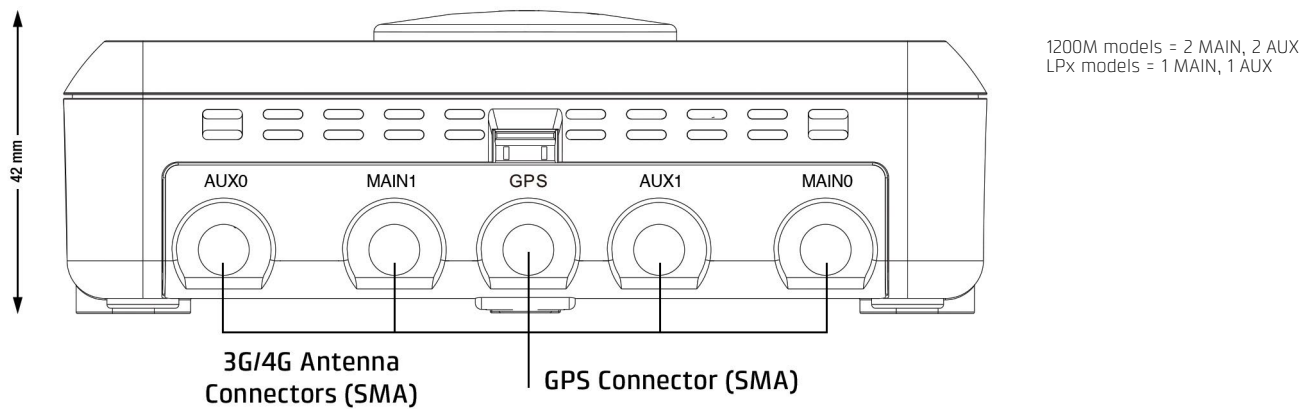
FirstNet and FirstNet Ready are registered trademarks and service marks of the First Responder Network Authority, an independent authority within the U.S. Department of Commerce.

HARDWARE

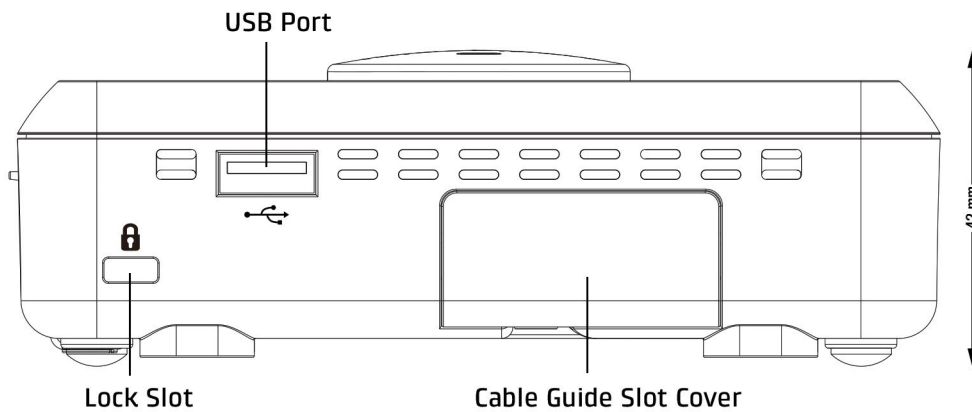
BOTTOM VIEW




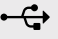

RIGHT VIEW: CBA850-1200M SHOWN



REAR VIEW



LEDS

INDICATOR	BEHAVIOR
On top of router	<p>POWER The Cradlepoint CBA850 must be powered using an approved 12 V DC power source.</p> <ul style="list-style-type: none"> • Blue = Powered ON: 4G. • Green = Powered ON: 3G. • Amber = Attention. • No Light = Not receiving power. Check the power switch and the power source connection.
	<p>INTEGRATED MODEM Indicates information about the integrated modem.</p> <ul style="list-style-type: none"> • Green = Modem has established an active connection. • Blinking Green = Modem is connecting. • Amber = Modem is not active. • Blinking Amber = Data connection error. No modem connection possible. • Blinking Red = Modem is in the process of resetting.
	<p>EXTERNAL USB MODEM Indicates information about an attached USB modem.</p> <ul style="list-style-type: none"> • Green = Modem has established an active connection. • Blinking Green = Modem is connecting. • Amber = Modem is not active. • Blinking Amber = Data connection error. No modem connection possible. • Blinking Red = Modem is in the process of resetting.
	<p>SIGNAL STRENGTH Blue LED bars indicate the active modem's signal strength.</p> <ul style="list-style-type: none"> • 4 Solid Bars = Strongest signal. • 1 Blinking Bar = Weakest signal. (A blinking bar indicates half of a bar.)