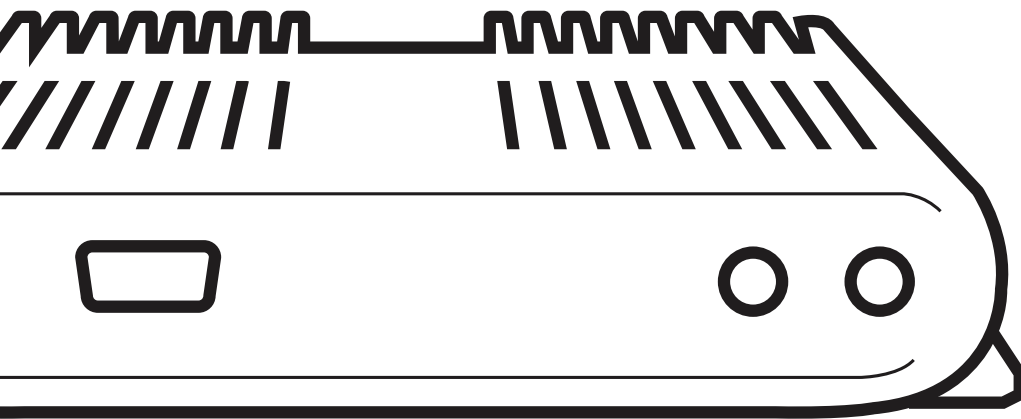




COR Series Router

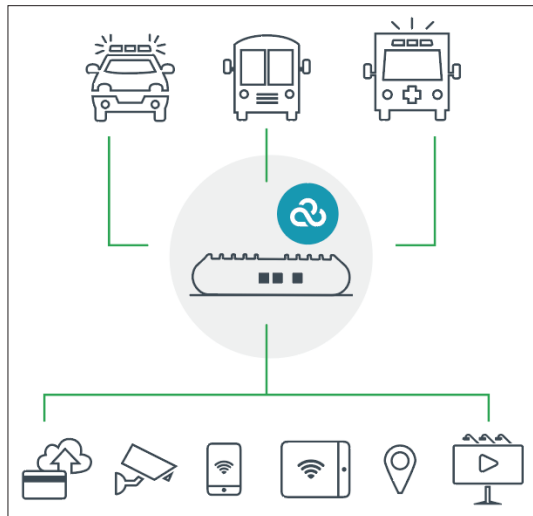
IBR600C/IBR650C

Vehicle Installation Guide



cradlepoint.com

INTRODUCTION



The Cradlepoint COR IBR 600C Series is a compact, semi-ruggedized 3G/4G networking solution designed for mission-critical connectivity.

For in-vehicle networks including police cars, ambulances, and mass transit, this cloud-managed solution provides organizations the ability to scale deployments quickly and manage their vehicle networks easily in real-time.

With safety and hardening certifications, the COR IBR600C Series is engineered to protect against extreme temperatures, humidity, shocks, vibrations, reverse polarity, and transient voltage.

You can also add dual-modem capability to your IBR600C/650C with the optional Dual-Modem Dock. For more information, visit cradlepoint.com.



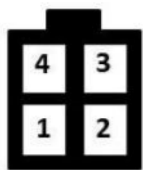
IBR600C

POWER & GPIO

Available as an accessory for the Cradlepoint COR IBR600C/650C is a two meter, 22 AWG direct wire power and GPIO cable (includes ESD-protected general input and output pins):



This diagram shows the connector pinout. This is the view into the router (or the rear view of the cable connector):



Pin	Definition	Details	Wire Color
1	Ground	-	Black
2	Power	9–33 V DC	Red
3	Input	3.4 V input high threshold (33 V tolerant)	Orange
4	Output	capable of sinking 250 mA	Blue

The wire colors shown are for the power/GPIO cable that is available as an **accessory**. Other wiring setups may

have different colors.

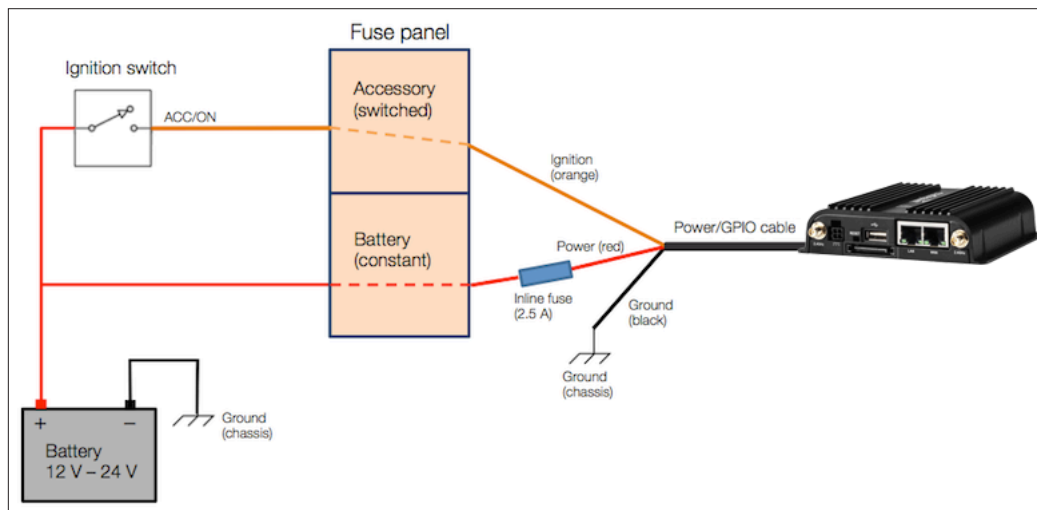
If you need a power/GPIO cable that is longer than two meters, we recommend the following wire gauges (**AWG**):

- 22 gauge wire for up to 4 meters (~13 ft)
- 20 gauge wire for up to 6 meters (~20 ft)
- 18 gauge wire for up to 12 meters (~40 ft)

For additional power source options, see the [adapters and cables accessories page](#).

INSTALLATION

The red wire (power) should connect to the positive (red) terminal of the battery, and the black wire (ground) should connect to the chassis. To enable ignition sensing functionality, connect the orange wire (input) to the ignition, or accessory, switch. The power and ignition wires can be attached directly or through the fuse panel.



The red power wire requires an inline fuse at 2.0 or 2.5 A. Either use an extra slot in the fuse panel for this fuse, or splice an inline fuse directly into the wiring. Here is an example of how to attach an inline fuse: <http://youtu.be/RD0ZT-dTITo>.

Wire connections vary depending on the installation. Make sure your connectors are rated for the gauge of your wires (e.g., the included power/GPIO cable is 22 AWG). See the sample crimp connectors at right, and see this video example for how to attach a quick splice connector:

<http://youtu.be/zxt3LVpvjcw>.



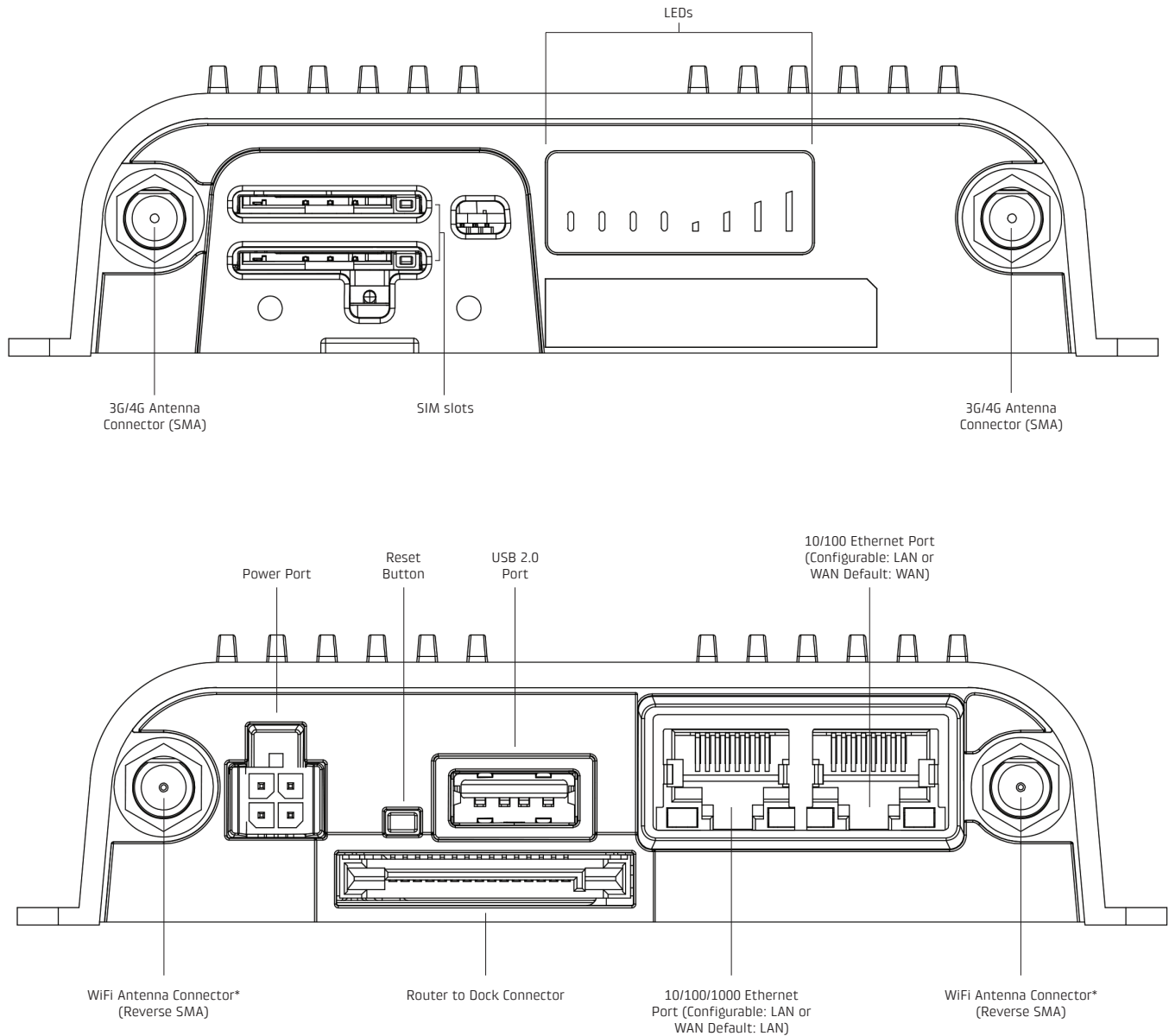
IGNITION SENSING

Ignition sensing allows you to set the router to power on when the ignition key is turned to ACC/ON, and then power off after the ignition key is turned off with a designated time delay. For example, set your router to remain on for an hour after the vehicle is turned off and then shut off. When the vehicle is turned on again, the router will also turn back on.

Edit these settings on the **GPIO Connector** administration page. Go to the configuration pages for your device or group in **Enterprise Cloud Manager** or log into the local device administration pages and go to **SYSTEM > GPIO Configuration**. Refer to your product's User Manual for GPIO configuration instructions.

ANTENNAS

The COR IBR600C/650C has two connectors for 3G/4G modem antennas (SMA). Additionally, the COR IBR600C has two connectors for 2.4 GHz WiFi (RSMA).

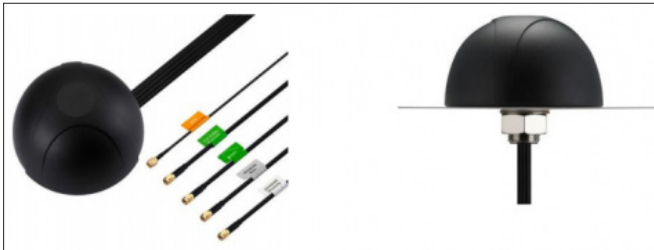


* - only on IBR600C-LPE

See the Cradlepoint [antenna accessories page](#) for recommended options for antennas. Also see the [Antenna Ordering and Installation Guide](#), available as a PDF in the [Resources](#) section of antenna and router product pages.

VEHICLE ANTENNA OPTIONS

Antenna Type	Mounting	Recommended Antenna	Part #
Modem, WiFi, and GPS	Screw	5-in-1 Screw-mount antenna (includes 3M cables) <ul style="list-style-type: none"> • two 3G/4G modem • two 2.4/5 GHz WiFi • one GPS-GLONASS 	170654-000
Modem and GPS	Screw	3-in-1 Screw-mount antenna (includes 3M cables) <ul style="list-style-type: none"> • two 3G/4G modem • one GPS-GLONASS 	170653-000



Part # 170654-000

MOUNTING

The COR IBR600C/650C includes four integrated mounting holes for secure mounting. We recommend the following mounting screws:

- For sheet metal installation, use #8 self-drilling screws.



- For tapped holes, use M4 machine screws.



To mount the COR IBR600C/650C with the optional Dual-Modem Dock, refer to the Dual-Modem Dock [Quick Start Guide](#).