

## Data Sheet

# Ericsson Private 5G Compact A2400

2025 - 01 - 07

Ericsson Private 5G Compact includes plug-and-play cellular access points (CAPs) that support the 4G LTE CBRS spectrum band 48. Sometimes referred to as small cells, these CAPs form the private radio access network (RAN) that cellular endpoints and clients connect to and are authenticated through the Ericsson Private 5G Compact Mobility Gateway. All indoor and outdoor CAPs work together to create contiguous private network connectivity across the entire customer landscape.

## Ideal Wireless LAN Solution

When Wi-Fi doesn't provide adequate coverage, reliability, or client mobility, a private cellular network (PCN) is an ideal solution. Outside of smaller commercial locations, Wi-Fi's "best effort" connectivity is not good enough at best, and often results in costly losses for larger footprint businesses due to connection dead zones, sticky clients, and limited coverage capabilities – especially outdoors. The Ericsson Private 5G Compact A2400 inherently solves these issues by elegantly balancing deployment and management simplicity with powerful insights and control.

## Reliability You Can Count On

Ericsson Private 5G Compact excels in network determinism, client mobility, and overall reliability, markedly outperforming Wi-Fi. PCNs ensure predictable network behavior with guaranteed bandwidth, essential for critical applications. Unlike Wi-Fi, where client devices determine handoffs, potentially leading to connectivity gaps, Ericsson Private 5G Compact manages client mobility seamlessly across multiple CAPs, ensuring devices maintain stable connections. This systemwide approach to managing connections enhances the reliability of the LAN, reducing downtime and maintaining consistent network performance.

## Notable benefits

- Plug and play CAPs with automated provisioning and quick boot up.
- Sleek form factor with built-in antennas and aesthetics similar to a Wi-Fi AP.
- Utilizes dedicated spectrum and advanced interference management, significantly reducing the risk of connection drops and ensuring superior connectivity.
- Flexible power options with PoE+ or DC input.
- Time Division Duplex (TDD) modes 1 and 2 enable customizable uplink and downlink throughputs.



## Cellular Access Point Specifications

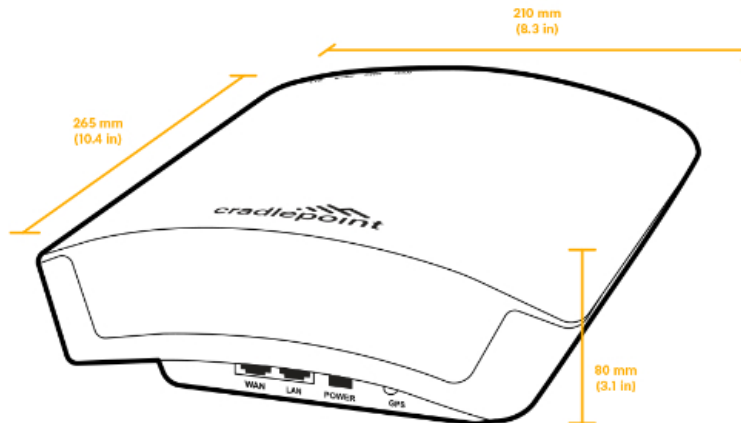
The CAP is a TDD-LTE small cell with internal antennas that provides connectivity to the SIM-authenticated devices in the private network.

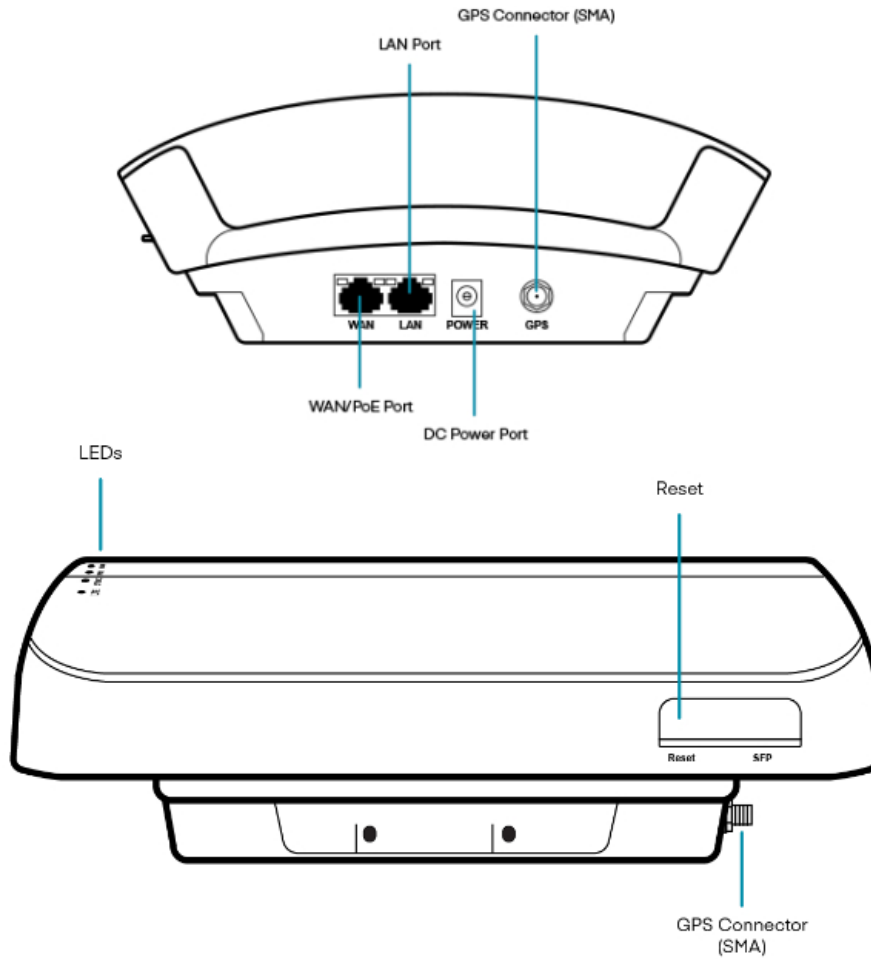
INTERFACES	
Ethernet:	2 x GbE
Cellular:	Inbuilt with internal antenna
GNSS/GPS:	Inbuilt with external antenna support through SMA
ENVIRONMENTAL	
Temperature:	<ul style="list-style-type: none"> <li>— Operating: -5 °C to 40 °C (23 °F to 104 °F)</li> <li>— Storage: -40 °C to 70 °C (-40 °F to 158 °F)</li> </ul>
Humidity:	<ul style="list-style-type: none"> <li>— Operating: 5% to 90% non-condensing</li> <li>— Storage: 5% to 95% non-condensing</li> </ul>
Ingress Protection:	IP30
PHYSICAL	
Size:	265 mm x 210 mm x 80 mm (10.4 in x 8.3 in x 3.1 in)
Weight:	2.2 kg (4.9 lbs)
POWER	
Input:	One of the following: <ul style="list-style-type: none"> <li>— 12 VDC constant voltage (100-240 VAC input, 12 V/2.5 A DC power adapter cable included)</li> <li>— PoE+ 802.3at Type 2</li> </ul>
Maximum Load:	21 W
RADIO SPECIFICATIONS	
Operating Modes:	<ul style="list-style-type: none"> <li>— Single Carrier mode</li> <li>— Carrier Aggregation mode</li> </ul>
Active Clients:	<ul style="list-style-type: none"> <li>— Single Carrier mode: Up to 64</li> <li>— Carrier Aggregation mode: Up to 64</li> </ul>

<b>Single Carrier Peak Rates (based on 10 MHz BW):</b>	<p>TDD Config 1</p> <ul style="list-style-type: none"> <li>— Downlink: 40 Mbps</li> <li>— Uplink: 14 Mbps</li> </ul> <p>TDD Config 2</p> <ul style="list-style-type: none"> <li>— Downlink: 55 Mbps</li> <li>— Uplink: 7 Mbps</li> </ul>
<b>Carrier Aggregation Peak Rates (based on 20 MHz BW):</b>	<p>TDD Config 1</p> <ul style="list-style-type: none"> <li>— Downlink: 80 Mbps</li> <li>— Uplink: 28 Mbps</li> </ul> <p>TDD Config 2</p> <ul style="list-style-type: none"> <li>— Downlink: 110 Mbps</li> <li>— Uplink: 14 Mbps</li> </ul>
<b>Carrier Aggregation:</b>	Up to 2 CA (downlink only)
<b>MIMO:</b>	2x2
<b>Modulation:</b>	<ul style="list-style-type: none"> <li>— Downlink: Up to 64 QAM</li> <li>— Uplink: Up to 64 QAM</li> </ul>
<b>4G/LTE Bands:</b>	B48
<b>Cellular Power:</b>	30 dBm EIRP
<b>Cellular Antennas:</b>	4 internal (omni-directional)
<b>Channel Bandwidth:</b>	10, 20 MHz

## Physical Measurements & Features

### A2400





## Ordering Guide

Ericsson Private 5G Compact is comprised of a mobility gateway, cellular access point(s), and NetCloud Private SIMs, which all have corresponding Ericsson NetCloud Service plans. For a complete end-to-end management solution, Ericsson Cradlepoint routers and adapters should be added to the system. For details on Ericsson Private 5G Compact features, refer to the summary on the [Ericsson NetCloud Service](#) webpage and the detail in the NetCloud Service Features document. For more details and ordering information for the complete Ericsson Private 5G Compact solution, see [Ericsson Private 5G Compact Data Sheet](#).

### Step 1: Select Private 5G Compact Cellular Access Point(s) (selection of one or more indoor/outdoor models)

For details on other available cellular access points, see the following:

- [Ericsson Private 5G Compact A2405 Data Sheet](#)
- [Ericsson Private 5G Compact A2415 Data Sheet](#)

STEPS	COMPONENT	DESCRIPTION
-------	-----------	-------------

<b>1</b>	Cellular Access Point(s)	<ul style="list-style-type: none"> <li>— Ericsson Private 5G Compact A2400 indoor cellular access point</li> <li>— Ericsson Private 5G Compact A2405 outdoor cellular access point</li> <li>— Ericsson Private 5G Compact A2415 outdoor cellular access point</li> </ul>
----------	--------------------------	--

## Ericsson NetCloud Service Plans

REGION	PACKAGE PLAN	DESCRIPTION†	PART NUMBER
<b>US only:</b>	CBRS Cellular Access Points — Essentials	PROMO — Indoor A2400 CAP with AC power supply and line cord	PA0x-2400NM-CN
	Renewal — Cellular Access Point	Indoor A2400 — 1 year	PA01-NCESS-R

x = 4 or 6 years

†PROMO SKUs (promotional SKUs) are available for a limited time and add an extra year to the standard 3 or 5-year NetCloud Service Plan. Starting 07/01/2024, new subscriptions revert to the standard 3 or 5-year NetCloud Service Plan. All renewals have a 1-year duration.

## Support & Warranty

All Ericsson Private 5G Compact hardware and software are sold as part of an Ericsson NetCloud Service package, which includes:

- Ericsson Enterprise Wireless Solutions Global Service & Support for the full subscription term.
- Hardware limited lifetime warranty for as long as they have a subscription license to an active NetCloud Service plan.

# More Information

[Learn more at \*\*cradlepoint.com/netcloud-private-networks\*\*](https://www.cradlepoint.com/netcloud-private-networks)