

## Data Sheet

# RX20-MC

2023 - 08 - 24

The RX20-MC managed accessory is compact and ruggedized for use with the R920 Series Ruggedized Router. The RX20-MC includes both a modular modem expansion slot which provides the ability to add a second LTE or 5G modem for dual carrier connectivity and a RS-232 for connecting serial devices.



[Product Page](#)



[NetCloud Service](#)



[Quick Start Guide](#)

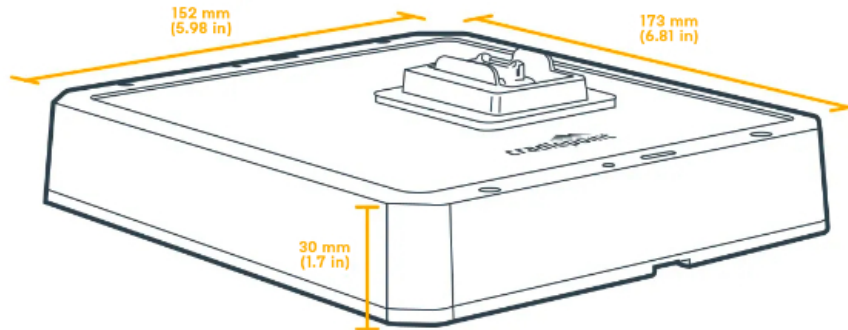
## Hardware Specifications

SPECIFICATION	
<b>Technology:</b>	RX20-MC Managed Accessory — Modular Modem
<b>Expansion:</b>	<ul style="list-style-type: none"> <li>— 1 x 6-pin GPIO connector</li> <li>— 2x3 Molex micro-fit</li> </ul> <p style="text-align: center;">Refer to <a href="#">Cradlepoint General-Purpose Input/Output (GPIO) Reference</a>.</p> <ul style="list-style-type: none"> <li>— MC400 modem expansion slot</li> <li>— DB9 RS-232 serial port</li> </ul> <p style="text-align: center;">Refer to <a href="#">Cradlepoint General-Purpose Input/Output (GPIO) Reference</a>.</p>
ENVIRONMENTAL	
<b>Temperature:</b>	<ul style="list-style-type: none"> <li>— Operating: -30 °C to 70 °C (-22 °F to 158 °F)</li> <li>— Storage: -40 °C to 85 °C (-40 °F to 185 °F)</li> </ul>
<b>Humidity:</b>	<ul style="list-style-type: none"> <li>— Operating: 10% to 90%</li> <li>— Storage: 5% to 95%</li> </ul>
<b>Ingress Protection:</b>	IP64 (dust tight and splashing water)
POWER	
<b>Input:</b>	Receives power from host router.

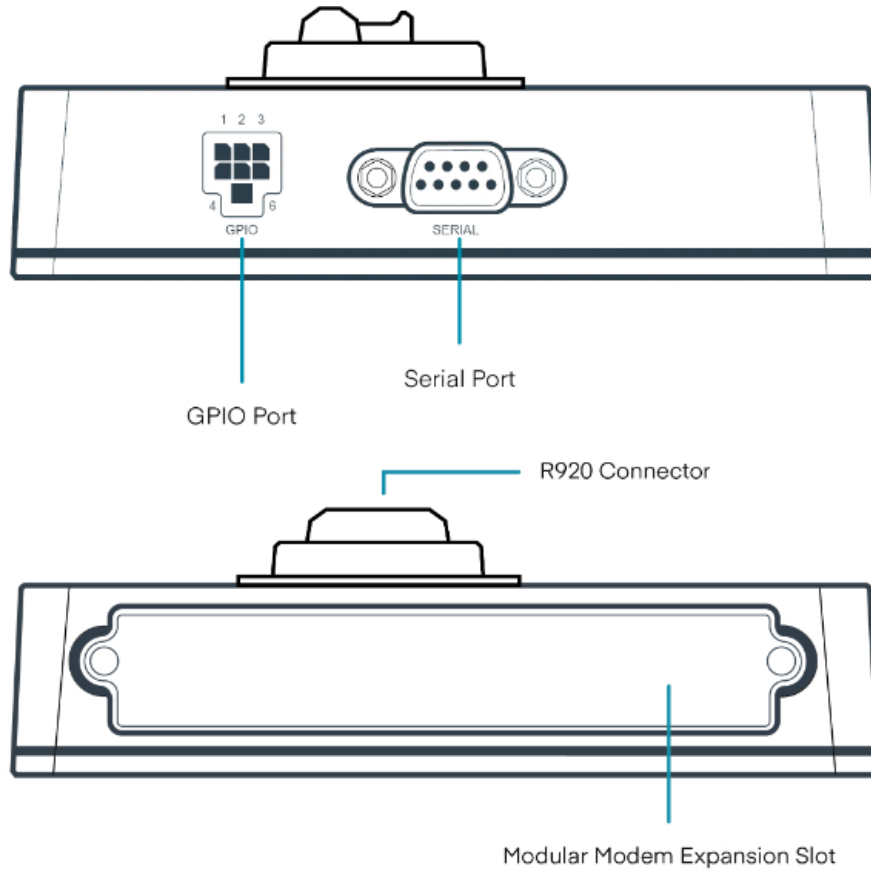
<b>Consumption†:</b>	R920 + RX20 12V input, 25 °C (77 °F) ambient temperature
	<ul style="list-style-type: none"> <li>— Sleep: 16 mW</li> <li>— Idle: 15 W</li> <li>— Typical: 19.3 W</li> <li>— Heavy: 23 W</li> </ul>
<b>PHYSICAL</b>	
<b>Size:</b>	137 x 116 x 42 mm (5.37 x 4.58 x 1.66 in)
<b>Weight:</b>	561 g (1 lb 3.8 oz)
<b>RELIABILITY</b>	
<b>Calculated MTBF:</b>	7,814,449 hours (Telcordia SR332 at 25 °C)
<b>CERTIFICATIONS</b>	
<b>Safety:</b>	UL/cUL, CB Scheme, EN 62368-1, E-Mark
<b>Materials:</b>	WEEE, RoHS, REACH, California Prop 65
<b>Shock/Vibration/Humidity:</b>	MIL STD 810G and SAE J1455
<b>Electromagnetic Compatibility (EMC):</b>	EN 55032/55035
<b>COMPATIBILITY</b>	
<b>Supported Routers:</b>	R920 Series Ruggedized Router
	Refer to the <a href="#">RX20 Managed Accessory Quick Start Guide</a> .

† Power consumption values were measured with an MC400-5GB Modular Modem installed in the RX20 Managed Accessory.

## Physical Measurements



## Features



## Ordering Guide

The RX20-MC Managed Accessory is designed for the R920 Series router. Activation and use of the RX20-MC accessory requires a Cradlepoint R920 Series router that is licensed to a NetCloud Service Plan. For details on the features available to a licensed Cradlepoint router by service plan, refer to the summary on the [NetCloud Service webpage](#) and the detail in the NetCloud Service features document.

NetCloud Packages for the RX20-MC Managed Accessory

REGION		PART NUMBER
<b>All Regions:</b>	RX20 Managed Accessory — Modular Modem (modem sold separately)	MA-RX20-MC
<b>United States:</b>	RX20 Managed Accessory — Modular Modem (modem sold separately)	TAA-MA-RX20-MC
<b>Federal Government</b>		

## Accessories

INCLUDED	PART NUMBER
RX20-MC Managed Accessory	
Small Accessories Kit	N/A
Mounting Template	N/A

## Support & Warranty

The RX20-MC is sold only as an optional accessory.

All Cradlepoint hardware products are covered by a limited lifetime warranty for as long as they have a subscription license to an active NetCloud Service Plan.

## More Information

[Find the most up-to-date information at \*\*cradlepoint.com/product/accessories/rx20-mc\*\*](https://www.cradlepoint.com/product/accessories/rx20-mc)