

## Data Sheet

# W4005 Series 5G Wideband Adapter

2024 - 02 - 19

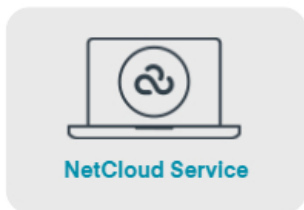
Designed for branches that require the higher performance of 5G and the flexibility of wireless, the Cradlepoint W-Series 5G Wideband Adapters usher in the next generation of Wireless WAN networking. The W-Series is designed to accommodate the diverse spectrums, multiple generations, and breadth of new technologies introduced in 5G while delivering enterprise-class standards of scalability, comprehensive management, and security

## High Performance Wideband

The W-Series 5G Wideband Adapters are purpose-built for deployment in the new high-performance low-, mid-, and high-band 5G spectrum. To address the tradeoff of lower propagation, Cradlepoint designed the W-Series Adapter to be placed separately from the router for optimal signal reception with multiple available models. The W4005 Series 5G Wideband Adapter has metal construction with an IP67 rating and is designated for outdoor deployment.

## Designed for Enterprise-Class Business

While the performance of 5G is top of mind, the W-Series was also designed with enterprise-class standards for high scalability, comprehensive management, and security. Because 5G is a collection of new spectrum, new technologies, and new network infrastructure that is rolling out over several years, the Cradlepoint 5G edge networking service and endpoints accommodate the diverse deployments of an organization with hundreds or even tens of thousands of sites.



## Notable Features

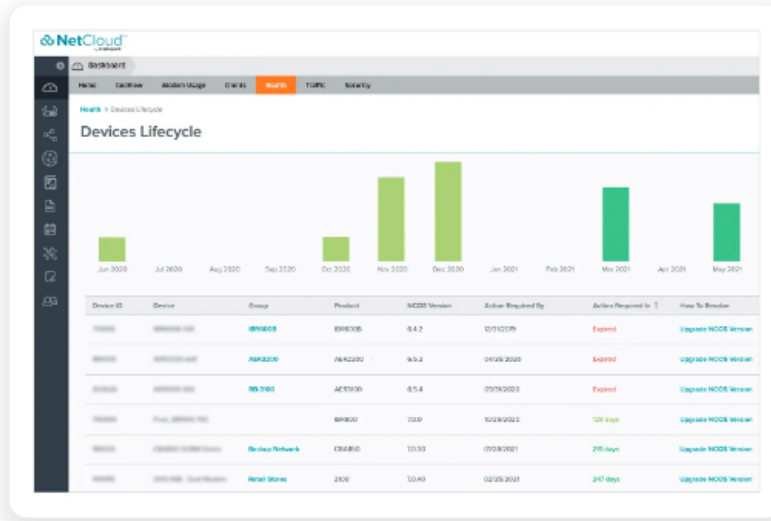
- Increase the size and types of your WAN use cases with 5G performance
- Experience the dependability of dual connectivity with simultaneous 5G and 4G connections
- Gain carrier-class connectivity using a software-defined modem and integrated multilevel test and recovery utilities
- Deploy an enterprise-class 5G solution with greater simplicity and confidence with the wizard-based installation application
- Manage the Cradlepoint router and 5G adapter as one entity for singular control and visibility
- Evaluate the benefits of your 5G service with value confirmation tools built into the NetCloud Platform
- Reduce truck rolls with advanced Out-of-Band Management
- Deploy within any existing networking or SD-WAN environment

## Carrier-Class Connectivity

Although each network operator conforms to 3GPP standards, they implement those standards differently to gain optimal efficiency and performance from their network. Additionally, software from modem manufacturers is designed to serve multiple operators within broad markets. The W-Series uses a customized software-defined modem, pre-programmed endpoints, and multilevel integrity testing to predict vulnerable connections and deliver carrier-class connectivity

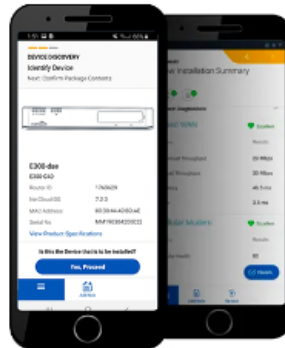
## 5G Spectrum Solutions

The W-Series portfolio supports all spectrum layers ensuring that organizations have the right solution for every location. The W2000 and W2005 support low- and mid-band layers while the W4005 supports low-, mid-, and high-band layers.



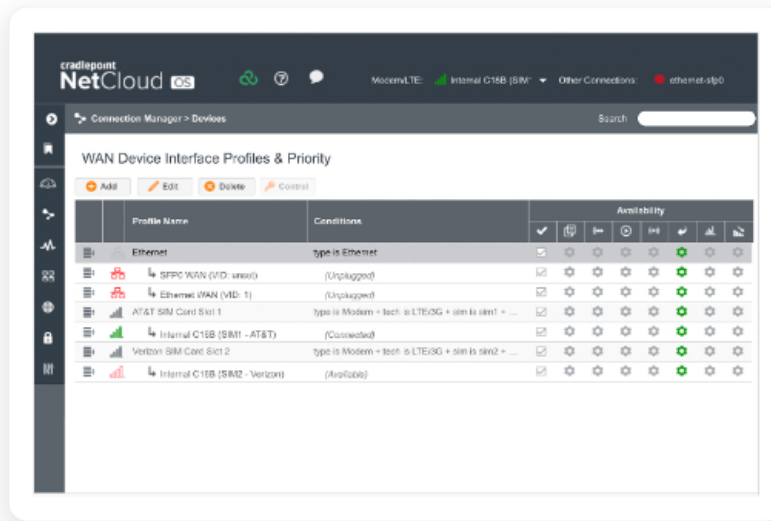
## Support for a Full Range of Cellular Technologies

Cradlepoint 5G solutions support all cellular generations, from 4G LTE to Gigabit-Class LTE to 5G — with the ability to gracefully transition tens of thousands of sites between generations as technology becomes available in individual locations.



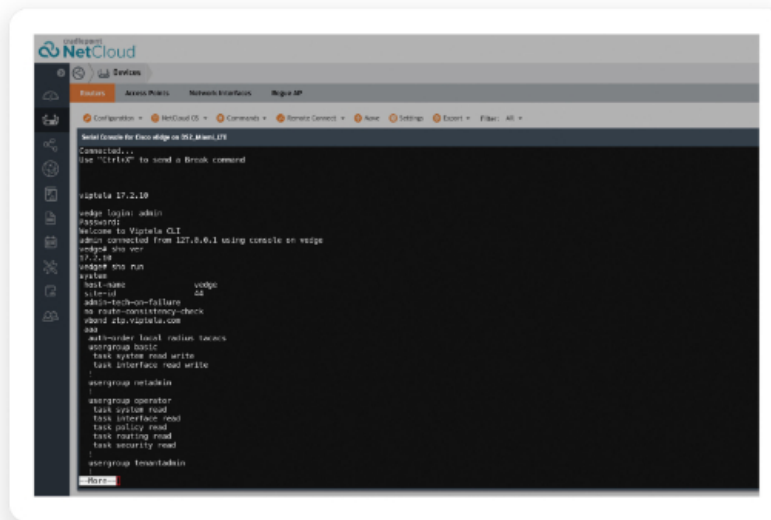
## Complete Lifecycle Management

Cradlepoint 5G solutions help enterprises minimize complexity from installation to troubleshooting with tools and features such as the mobile installation application, the captive modem feature, 5G tools demonstrate 5G service value, and Out-of-Band Management.



## Intelligent Hybrid WAN Connectivity

Cradlepoint 5G solutions deliver effortless wireless endpoint management in a “wired-first SD-WAN” environment and provides all-in-one capabilities (routing, embedded wireless, and foundational SD-WAN) in a “wireless-first SD-WAN” deployment.



## Hardware Specifications

The following features are delivered through the hardware.

INTERFACES	
<b>Modem:</b>	Embedded 5G FR1 NSA/SA 3GPP release 15 and 4G LTE Category 20 modem
<b>Ethernet:</b>	2 x 2.5 GbE RJ45 (LAN/WAN switchable)

<b>Wi-Fi:</b>	Single band 2.4 GHz  <ul style="list-style-type: none"> <li>— Endpoint setup only</li> <li>— 2x2 MU-MIMO 802.11ax Wi-Fi 6</li> <li>— External 2x2 antennas</li> <li>— Global Safe Mode</li> </ul>
<b>Expansion / Console:</b>	N/A
<b>GNSS / GPS:</b>	GNSS Muxed to DIV0:L1 and MIMO2:L5
<b>ENVIRONMENTAL</b>	
<b>Temperature:</b>	<ul style="list-style-type: none"> <li>— Operating: -30 °C to 70 °C (-22 °F to 158 °F)</li> <li>— Storage: -40 °C to 85 °C (-40 °F to 185 °F)</li> </ul>
<b>Humidity:</b>	<ul style="list-style-type: none"> <li>— Operating: 0% to 100%</li> <li>— Storage: 0% to 100%</li> </ul>
<b>Ingress Protection:</b>	IP67 (dust tight and water emersion up to 1 meter)
<b>Wind / Shock Rating:</b>	134 MPH sustained wind rating
<b>POWER</b>	
<b>Required:</b>	PoE++  <ul style="list-style-type: none"> <li>— PoE power injector included</li> <li>— 802.3bt PSE Type 4 (100W)</li> </ul>
<b>Consumption:</b>	802.3bt Class 8 PD (90 W)
<b>PHYSICAL</b>	
<b>Size:</b>	323 x 300 x 79 mm (12.72 x 11.8 x 3.11 in)
<b>Weight:</b>	5.26 kg (11 lb 9.6 oz)
<b>RELIABILITY</b>	
<b>Calculated MTBF:</b>	349,534 hours (Telcordia SR332 at 25 °C)
<b>CERTIFICATIONS</b>	
<b>Safety:</b>	UL/cUL, CB Scheme
<b>Materials:</b>	WEEE, RoHS3
<b>CLOUD SERVICES</b>	
<b>Service Plans:</b>	NetCloud Service for Branch 5G Adapter
<b>Service Add-Ons:</b>	NetCloud Exchange, NetCloud Advanced
<b>Support:</b>	NetCloud Packages include support for the full subscription term.
<b>Warranty:</b>	All Cradlepoint hardware products are covered by a limited lifetime warranty for as long as they have a subscription license to an active NetCloud Service Plan.
<b>Device Management:</b>	NetCloud Manager for the full subscription term.
<b>Software Updates:</b>	NetCloud Manager for the full subscription term.
<b>PERFORMANCE</b>	

<b>IP Passthrough Mode Throughput:</b>	2.0 Gbps
<b>Standard NAT Mode Throughput:</b>	2.0 Gbps
<b>Captive Modem Mode Throughput:</b>	2.0 Gbps
<b>LEDs</b>	
Refer to the <a href="#">W4005 Outdoor 5G Wideband Adapter Quick Start Guide</a> .	

## Enterprise-Class Modem Specifications

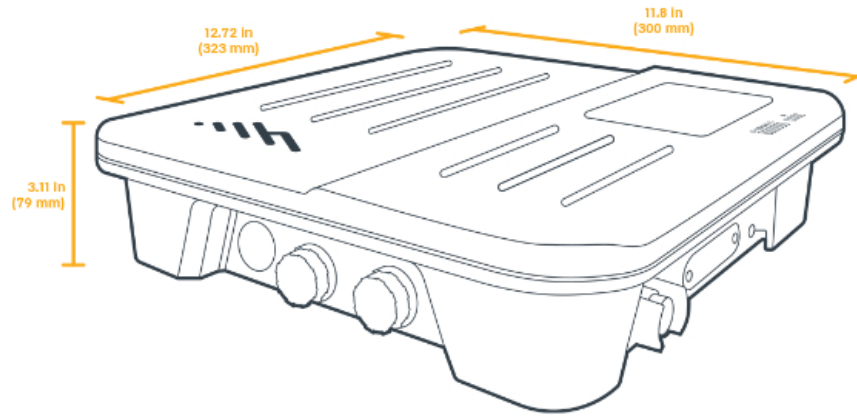
SPECIFICATION	W4005-5GB — OUTDOOR
<b>Technology:</b>	5G FR1 NSA/SA and 4G LTE <ul style="list-style-type: none"> <li>— LTE Advanced Pro Category 20</li> <li>— Dual SIM slots, 2FF form factor</li> <li>— 3GPP Release 15</li> </ul>
<b>Carrier Aggregation:</b>	LTE Only <ul style="list-style-type: none"> <li>— Downlink: Up to 7CA</li> <li>— Uplink: Up to 2CA</li> </ul> LTE + 5G NR ENDC <ul style="list-style-type: none"> <li>— Downlink: 1CA</li> <li>— Uplink: 1CA</li> </ul> See <a href="#">Understanding Carrier Aggregation</a> .
<b>Peak Rates:</b>	<ul style="list-style-type: none"> <li>— Downlink: Up to 7.53 Gbps</li> <li>— Uplink: Up to 1.6 Gbps</li> </ul>
<b>MIMO:</b>	4x4 MIMO
<b>Modulation:</b>	<ul style="list-style-type: none"> <li>— Up to 256 QAM — FR1</li> <li>— Up to 64 QAM — FR2</li> </ul>
<b>4G/LTE Bands:</b>	FDD <ul style="list-style-type: none"> <li>— B1 (2100), B2 (1900), B3 (1800), B4 (1700), B5 (850), B7 (2600), B8 (900), B12 (700), B13 (700), B14 (700), B17 (700), B18 (850), B19 (850), B20 (800), B25 (1900), B26 (850), B28 (700), B29 (700), B30 (2300), B32 (1500), B66 (1700), B71 (600)</li> </ul> TDD <ul style="list-style-type: none"> <li>— B34 (2000), B38 (2600), B39 (1900), B40 (2300), B41 (2500), B42 (3500), B43 (3700), B46 (5200), B48 (3500)</li> </ul>

<b>5G NR Bands:</b>	NSA and SA  — n1 (2100), n2 (1900), n3 (1800), n5 (850), n7 (2600), n8 (900), n12 (700), n20 (800), n25 (1900), n26 (850), n28 (700), n38 (2600), n40 (2300), n41 (2500), n48 (3500), n66 (1700/2100), n71 (600), n77 (3700), n78 (3500), n79 (4900)
<b>3G Bands:</b>	B1, B2, B3, B4, B5, B6, B8, B9, B19
<b>Power:</b>	LTE  — LTE bands: 23 dBm ± 1 (typical conducted) — LTE HPUE: 25 dBm ± 1 (B41 standalone mode only)  LTE + 5G NR ENDC  — LTE + 5G NR: 20 dBm ± 1 (typical conducted)  5G NR  — 5G NR bands: 23 dBm ± 1.5 (typical conducted)
<b>Antennas:</b>	Low/mid-band FR1 5G & LTE  — N-type female connectors, external 600 MHz - 6 GHz cellular paddle antennas (Qty 4, included)  High-band FR2 5G  — Internal 27.5-28.35 GHz, 37-40 GHz high-power antenna array (8x8 included)
<b>GNSS/GPS:</b>	Passive GNSS (multiplex with DIV0/MIMO2 antenna ports)
<b>SMS:</b>	Yes
<b>Regulatory:</b>	FCC (U.S.)
<b>Network Operator Standards:</b>	PTCRB (U.S.)
<b>Network Operator Certifications:</b>	AT&T, Verizon†

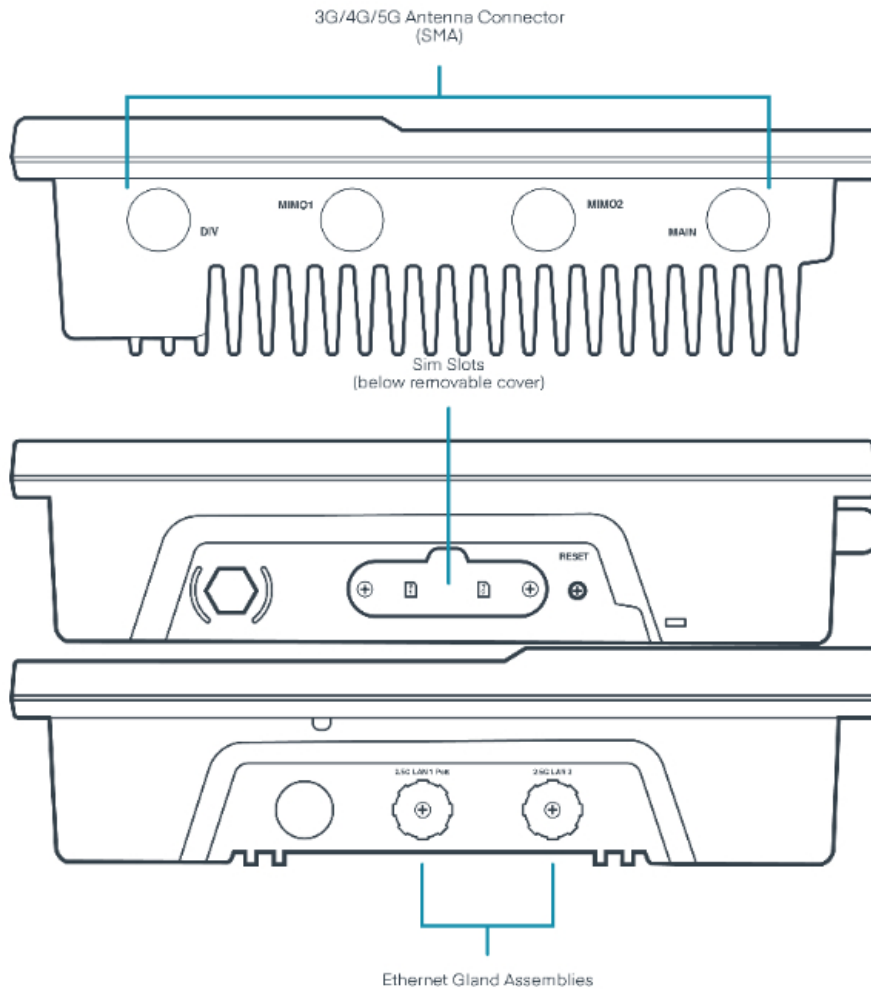
† Cellular carriers and operators throughout the world may only require telecom industry certifications, like PTCRB or GCF, to operate on their network. Some carriers require additional testing and approval, beyond telecom certifications, to operate on their network. A carrier listed in the approvals section means Cradlepoint completed additional testing and acquired technical approval for that given carrier. Any carrier not listed may not require additional testing or approval beyond telecom industry certifications to operate on their network.

## Physical Measurements & Features





## Features



## SIM Card Info



## Ordering Guide

**NetCloud Branch 5G Adapter Essentials + Advanced** packages and plans full featured for 5G performance and connectivity. Essentials + Advanced packages include 24x7 support (phone support: 24 hour weekdays with emergency response on weekends, web: 24x7, chat: 24x5) and a limited lifetime warranty.

See additional details of what is included in the Essentials + Advanced NetCloud software: [cradlepoint.com/netcloud-service](https://cradlepoint.com/netcloud-service)

NetCloud Packages for the W4005 Series Adapter

REGION	MODEM	ADAPTER PACKAGE PLAN	PART NUMBER
<b>North America: U.S.</b>	5GB	Essentials + Advanced	BEAx-40055GB-GN
<b>U.S. Federal Government</b>	TAA Compliant NC — 5G	Essentials + Advanced	TAA-BEAy-40055GB-GN
<b>All Regions:</b>		Renewal Essentials + Advanced	BEAx-NCEA-R

x = 1, 3, or 5 years

y = 3 or 5 years

## Accessories

INCLUDED	PART NUMBER
<b>W4005-5GB GHz Outdoor 5G Wideband Adapter</b>	
802.3bt 90 W PoE Injector	N/A
Cellular antenna, outdoor 5G Sub-6 (Qty. 4)	N/A
Outdoor mounting plate	N/A
Pole mount clamp	N/A
Plate to assembly mounting screws & washers	N/A
Plate to W4005 mounting screws	N/A
<b>OPTIONAL</b>	
PoE Injector, 56 V, 0.8 A, 90 W, single port 2.5 GbE 802.3bt	170827-000

## Support & Warranty

The W-Series Adapters are only sold as components of Branch 5G Performance Adapter Essentials + Advanced Packages.

- NetCloud Packages include support for the full subscription term.
- All Cradlepoint hardware products are covered by a limited lifetime warranty for as long as they have a subscription license to an active NetCloud Service Plan.



## More Information

Find the most up-to-date information [cradlepoint.com/w4005-series](https://www.cradlepoint.com/w4005-series)